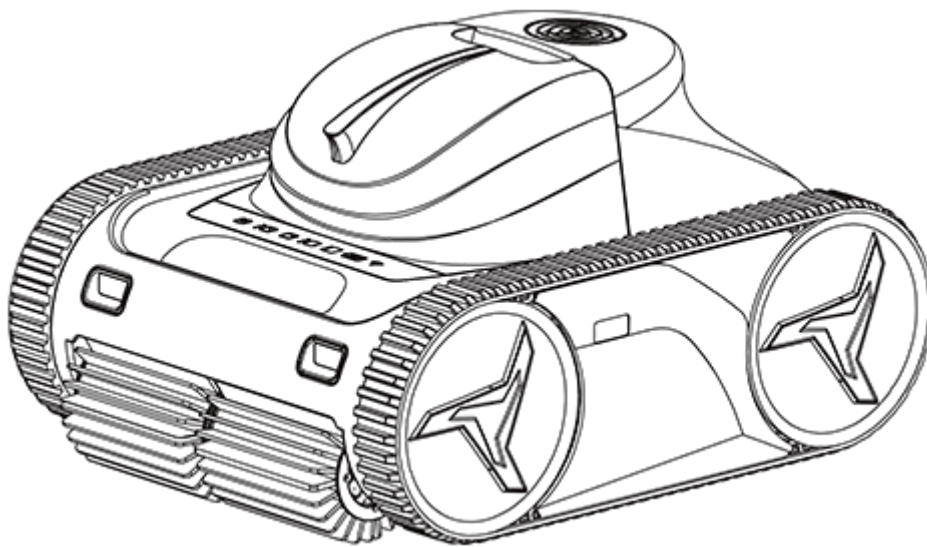


AI-WIRELESS ROBOTIC POOL CLEANER USER MANUAL



M30/45/60/80

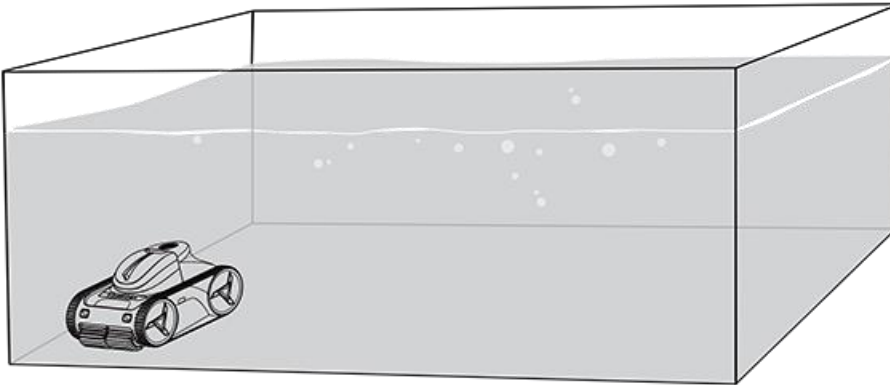
THANK YOU FOR PURCHASING M30/45/60/80 AI-WIRELESS ROBOTIC POOL CLEANER

Please read the manual carefully before
installing or using it and keeping it for subsequent use.

★ ★ TIPS ★ ★

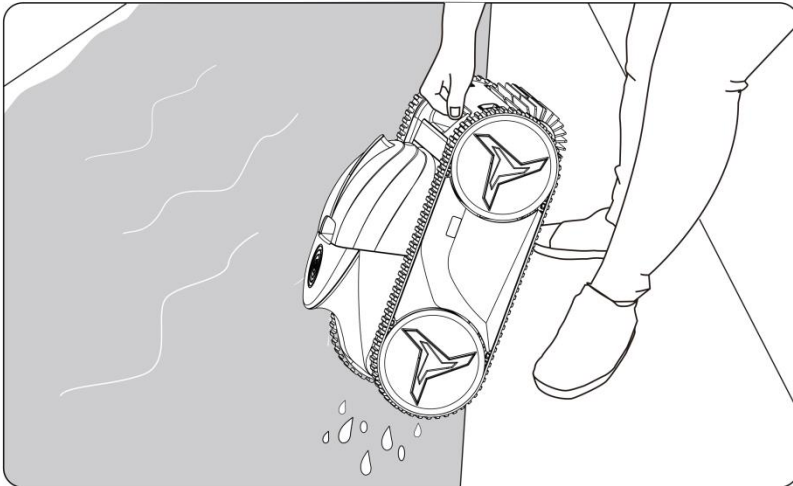
How to achieve the most efficient cleaning

Place the robot at the corner of the pool for quick coverage of the entire pool floor area.

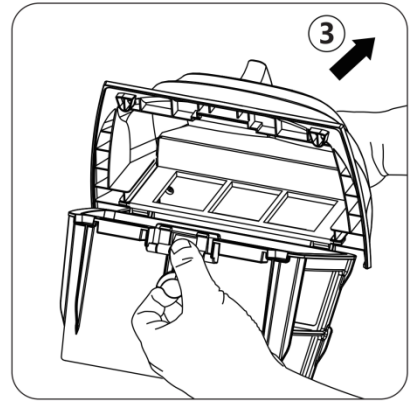
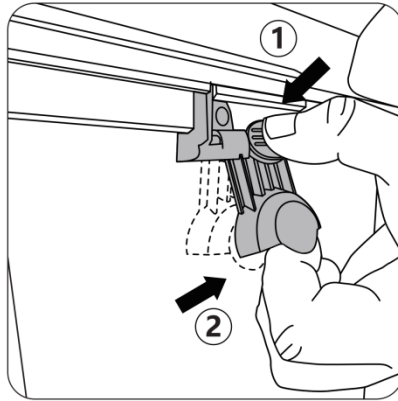
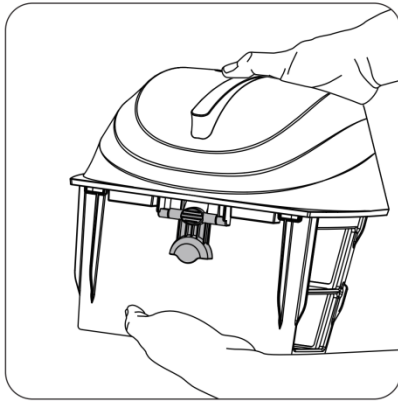


How to drain water from the robot

Place the robot on the edge of the pool for a while and let the water drain out.

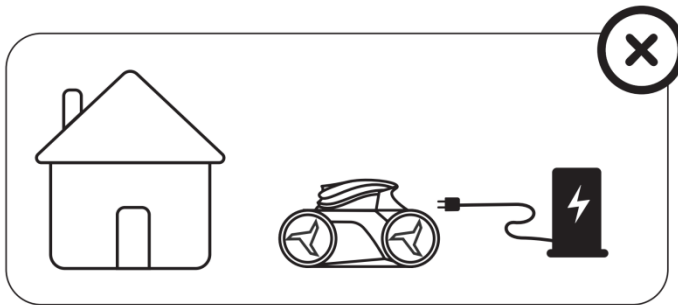


How to open the filter box

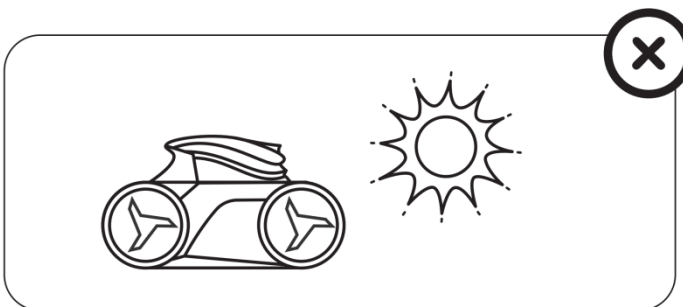


! For battery protection, the robot should be fully charged every 3 months and the magnetic cap should be inserted back if the robot is not used for more than 14 days.

! Do not charge the robot outdoors.



! Do not long-term expose the robot to the sun.



WARNINGS

This page contains information that will help you operate the robot safely, prevent hazards and damage to the robot or other property.

GENERAL WARNINGS

- Read the instructions before operating the robot.
- The robot is designed for pool cleaning; do not use it for other purposes.
- Keep the robot out of reach of children or persons with reduced physical, sensory or mental capabilities without supervision or instruction.
- The robot must be installed, operated and maintained as specified in this manual.
- The robot is to be installed in accordance with manufacturer's guidelines and in compliance with the relevant requirements of the local or national standards for installation. The manufacturer is not responsible for any outcome related to the failure to comply with installation, usage or maintenance guidelines.
- Incorrect installation or use of the robot may cause serious damage to property or injuries to people.
- Do not enter pool while the robot is in water.

WARNINGS ON USE

- Only use the detachable supply unit provided with the robot to recharge the battery. It is suggested to operate the power supply at least 3.5 meters from edge of pool.
- Disconnect the robot from the power supply and insert the magnetic cap back in place before performing any maintenance on the robot.
- Do not operate the robot with wet hands to avoid insensitive touch.
- Do not try to repair the robot yourself or open motor box in case of malfunction, please contact your dealer.
- If there is any malfunction or release of odor from the robot when charging, disconnect it from the power supply immediately and contact your dealer.
- Use only original replacement parts supplied by the manufacturer for service and repair.

GENERAL OPERATION CONDITIONS

Water depth range (m)	Water temperature (°C)	PH	NaCl (PPM)	Chlorine (PPM)
1-2,5	4-35	7,0-7,8	5000 MAX	4 MAX

Note: water temperature below 15°C, the endurance time may be affected.

- The robot is recommended for private pools.
- The robot will automatically stop running if the water depth is less than 40 centimeters for the purpose of motor protection.
- In pool floor mode, the robot will not climb the wall if the slope exceeds 30° .
- Do not use the robot during shock chlorination.
- Do not use the robot in thunderstorm or stormy weather.
- Do not expose the robot to direct rainfall or sunlight for an extended period.

CAUTIONS

- Hold the robot by the pool edge to let the water drain out before lifting from the pool, do it slowly so as to prevent back injury.
- Clean the filter basket after each cleaning cycle.
- Do not lift the robot out of water by track.

REMINDER

- When the robot battery is below 30%, it will only clean the floor of the pool.
- Storing your robot:
 - a. Ensure the robot is fully dry before storage. This prevents degradation or damage to the motors or internal structure.
 - b. The filter basket should be cleaned thoroughly after usage and do not leave dirt or debris to dry in filter basket.
 - c. The charger cable is stored neatly without twists whilst in long-term storage.
- Optimum storage temperature between -10-45°C and storage humidity between 30%-70%/RH.

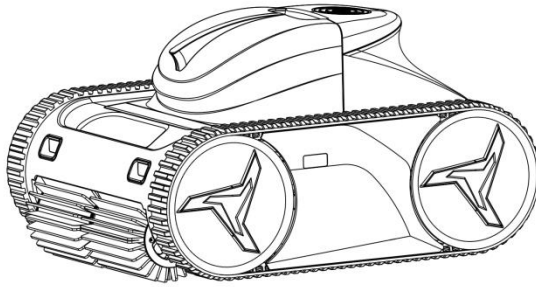
Table of Contents

SECTION 1. PRODUCT OVERVIEWS	1
1.1 Packaging content.....	1
1.2 Technical specification.....	2
1.3 Preparation.....	3
SECTION 2. OPERATION	4
2.1 Overview of Control Panel	5
2.2 Operation on the display of the unit	6
2.3 Cleaning the filter basket	7
2.4 Charging the robot.....	7
2.5 WIFI Matching.....	8
SECTION 3. MAINTENANCE.....	9
3.1 Filter maintenance	9
3.2 Impeller maintenance	9
3.3 Replace the worn brushes	10
3.4 Replace the worn tracks.....	11
SECTION 4. TROUBLESHOOTING	12

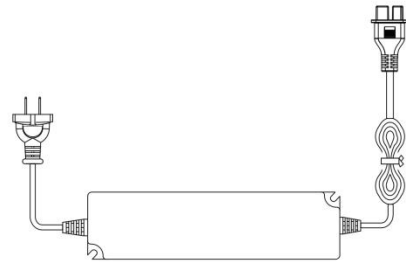
SECTION 1. PRODUCT OVERVIEWS

1.1 Packaging content

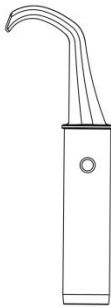
The following items are included in the packaging of robot. Please contact your dealer if any damage or loss.



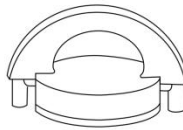
①



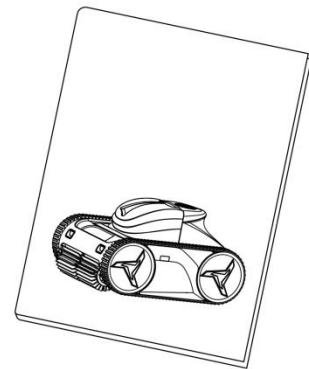
②



③



④



⑤

① The robot ② Charger ③ Hook ④ Magnetic cap*2 ⑤ User manual

Note:

1. Remove the Magnetic cap ④ when using or charging. Insert Magnetic cap back to machine's bottom for battery protection if not using the robot for more than 14 days.
2. If the robot fails, insert the Magnetic cap ④ back for 2 seconds, remove the magnetic cap ④ and restart the robot.

1.2 Technical specification

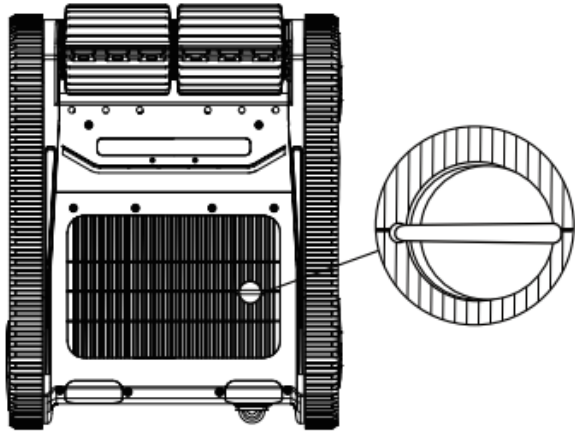
Model	M80	M60	M45	M30
Endurance condition reference*: Floor mode				
Endurance time	8,0h	6,0h	4,5h	3,0h
Endurance condition reference*: Floor/wall/waterline mode				
Endurance time	4,5h	3,5h	2,5h	2,0h
Charging time	8,0h	6,0h	4,5h	3,0h
Battery	14,0Ah (352wh)	10,4Ah (262wh)	7,8Ah (196wh)	5,2Ah (131wh)
Optimum pool temperature	4~35°C			
Cleaning mode	Floor only; Floor/Wall/Waterline			
Multiple cycle option	0,5h/1,0h/2,0h/Full Run			
AI Timer	Clean every 24h/48h/72h			
App application	YES			
Filter capacity	3,2L			
Filtration accuracy	100µm			
Pump flow rate	22-15(m³/h)	20-15(m³/h)		
Running power	30-110W			
Moving speed	12m/min			
Number of motors	3			
Charger input	100-240VAC ~ 50/60Hz			
Running voltage/current	25,2V/1,2A			
Charger power	72,5W			
Robot NW/GW	12,0 / 17,0kg	12,0 / 17,0kg	11,5 / 16,5kg	11,5 / 16,5kg
Robot dimension (L*W*H)	495*395*265 mm			
Robot packaging dimension (L*W*H)	580*448*330 mm			

* Reference: Above working time is based on 2 hours' cleaning each time at floor mode in the liner pool.

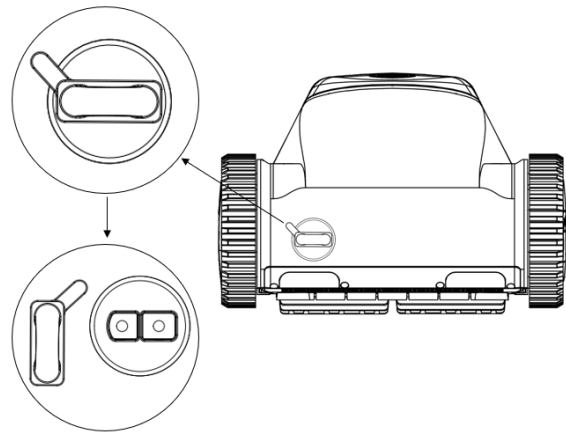
Note: The manufacturer reserves the right to modify these specifications without notice.

1.3 Preparation

① Remove the Magnetic cap from the bottom of the robot and store it well.



② Remove the plug cover. When fully charged, cover the plug again.

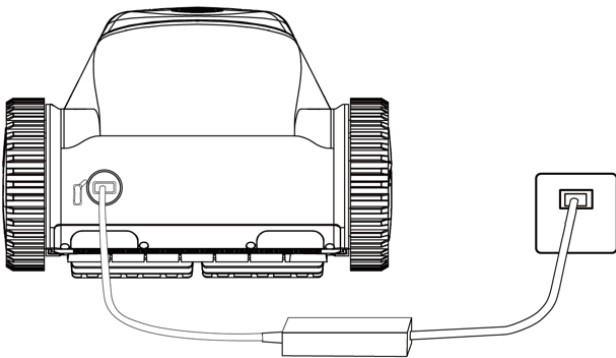


③ Connect to the power(100-240V) supply using the charger supplied.

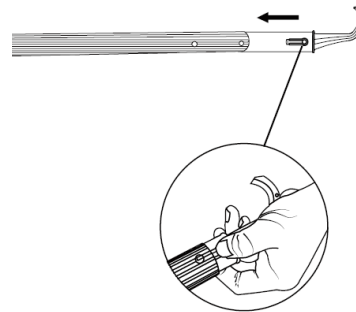
Battery 3 bars green lights on: Battery level: 100%

Fully charge the robot before the first use.

*Suggested Charging Temperature: 6-35°C.



④ Install the configured hook on the rod (Rod is exclusive).



SECTION 2. OPERATION

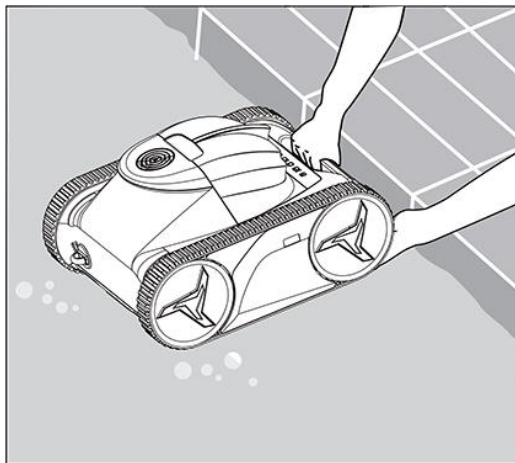
⚠ CAUTION

To prevent possible damage to the robot or people, be sure to follow these guidelines:

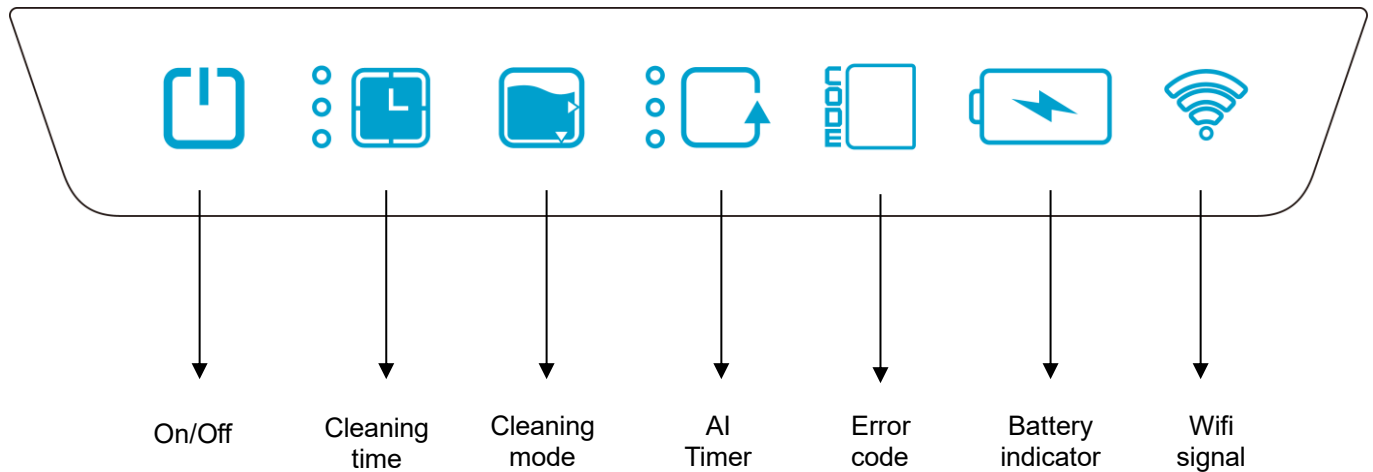
- After cleaning is completed, place the robot in a cool dry place away from direct sunlight.
- Take care when moving robot from pool and allow water to drain from robot before lifting.





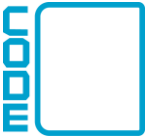
IMPORTANT



- Once the robot is set up, drop into the water within 3 minutes or the robot will enter sleep mode.
- Clean the filter basket after the cleaning cycle. Avoid cleaning the surface of the filter box directly with your hands.
- The robot has a safety feature that automatically stops if not run in a pool with water.
- Turn the robot in all directions to release any air trapped in the robot before it enters the water. Shown below.







2.1 Overview of Control Panel



Type of button	Icon	Display Status	Description
Power switch		Green light flashes	Setup status
		Green light being on	Running status/Inspection status under water
Cleaning time		1 green light being on	Cleaning time: 0.5H
		2 green lights being on	Cleaning time: 1.0H
		3 green lights being on	Cleaning time: 2.0H
		All lights being off	Cleaning until low battery
Cleaning mode		Triangle green light at the bottom being on	Floor cleaning mode
		Both triangle green lights being on	Overall cleaning mode (Floor, wall, waterline)
AI Timer		1 green light being on	Cleaning every 24 hours
		2 green lights being on	Cleaning every 48 hours
		3 green lights being on	Cleaning every 72 hours
		All lights being off	Do not need AI Timer
Error code		1	Left drive failure
		2	Right drive failure
		3	Water pump failure
		4	Control panel communication failure




		5	Infrared sensor failure
		6	Water sensor failure
Battery light (Non-charging status)		1 green light being on	Battery level: 20-50%
		2 green lights being on	Battery level: 50-75%
		3 green lights being on	Battery level: 75-100%
Low battery		1 red light flashes	Battery level: 15-20%
Battery light (Charging status)		1 green light flashes	Battery level: 0-50%
		1 green light being on, 1 green light flashes	Battery level: 50-75%
		2 green lights being on, 1 green light flashes	Battery level: 75-100%
		3 green lights being on	Battery level: 100%
Wifi signal		Green light flashes	Network matching
		Green light on	Network matched
		Red light flashes	Failure connection

2.2 Operation on the display of the unit

- Hold  for 3 seconds to activate the robot. When  flashes, start robot set up. After setup, press  again as confirmation. Once completed, put the robot into the water. The robot will start cleaning automatically when it touches the floor. If there is no operation on the robot within 3 minutes from  flashes, the robot will shut down and enter sleep mode.

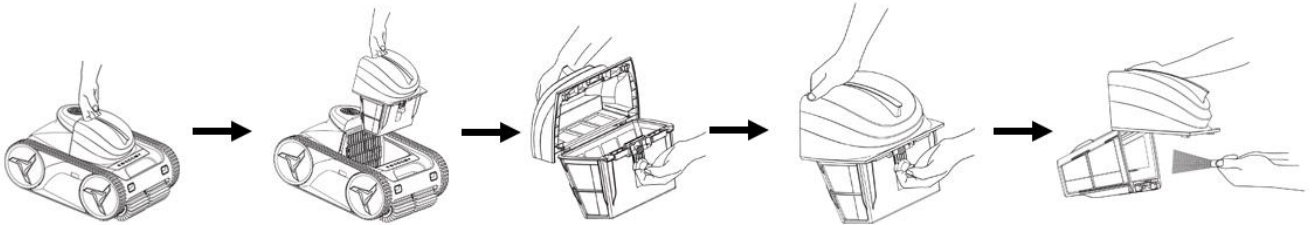
*Note: There are two different outcomes when setting up the AI Timer: 

(Take set of "Cleaning every 24 hours" in AI Timer for example)

- Press  once and put the robot into the water. The robot will start immediately. After one clean cycle, the robot will enter sleep mode and automatically wake up after 24 hours.
 - Press  for 3s and then put the robot into the water. The robot will enter sleep mode. After 24 hours, the robot will automatically wake up and start cleaning.
- If the battery is less than 15% during the cleaning cycle,  will keep flashing a red light, the robot will self-park at the pool side. It will enter sleep mode after 5 minutes.

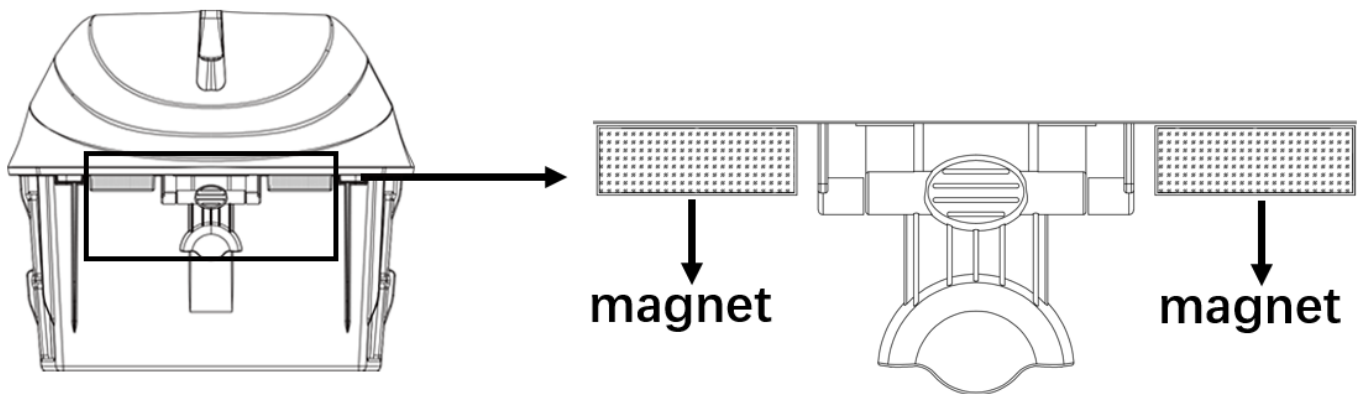
2.3 Cleaning the filter basket

After a cleaning cycle, the robot will self-park at the pool side. Use the hook to catch the handle and lift the robot out of the water, drain the water from the robot and clean the filter basket as shown below:

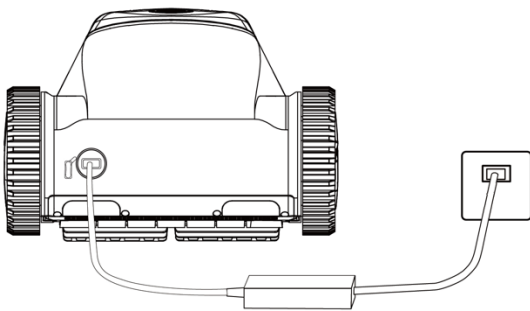


Note:

To prevent injury, wear rubber gloves when cleaning the filter basket.



2.4 Charging the robot







1. Plug the adapter into power supply and make sure that indicator light is being green.
2. Open the cover of the robot's plug to plug the adapter.
3. If the battery 3 bars green lights are on, the robot is fully charged.
4. Before charging, make sure charging port is dry.
5. Disconnect the charger after charging to protect the battery.
6. Charging plug should be inserted before robot use.
7. If the robot needs to be stored for long time, it should be fully charged at least every three months to protect.

Note: Use the original power adaptor with the robot ONLY.

2.5 WIFI Matching

*Attention:

1. Turn on Bluetooth & Wifi before APP connection.
2. Make sure the Wifi network connected is 2.4GHz and in a good signal.
3. Allow APP access to Bluetooth.
4. Make sure  is flashing during APP connection.

Hold  for 3s, then the robot will have a beep sound, the robot enters matching mode,  start flashing, open the “AI-BOT” APP to search device and match the robot to your network and go matching, the robot will beep three times and  will turn green after network is matched.

Setup of the robot can be operated via the APP through Wifi or Bluetooth.

Setup of the robot cannot be operated by APP if the robot is in the pool. (Due to the physical limitation of radio signal penetration in water).

Note: download the “AI-BOT” APP in iOS App Store/ Google Play Store.



SECTION 3. MAINTENANCE

⚠ WARNING

1. To avoid electric shock and other hazards which could result in major injuries, disconnect the adapter from the power source before performing any cleaning and maintenance.
2. Before any maintenance, insert the magnetic cap back to avoid injuries caused by impeller rotation.

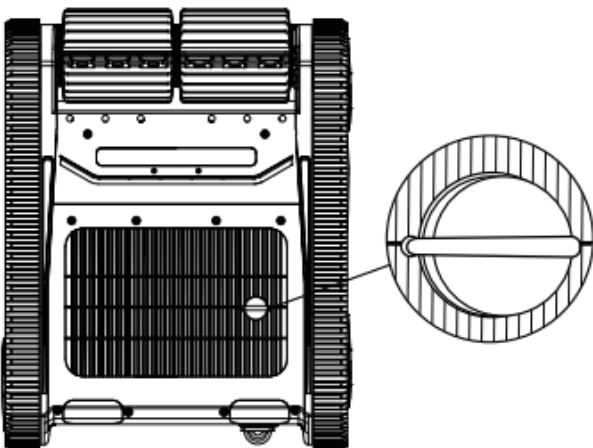
3.1 Filter maintenance

1. Clean the filter thoroughly and regularly for better cleaning and climbing performance. Otherwise, the cleaning and climbing performance may be affected when the filter is full or clogged.
2. Annually clean the clogged filter with mild acidic detergent, suitable safety equipment must be worn when during the process.

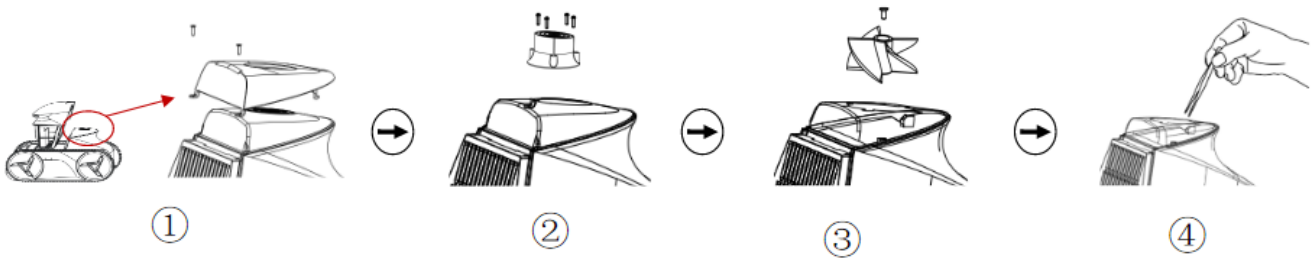
3.2 Impeller maintenance

Visually check whether the impeller or impeller shaft is entangled with hair or other debris when the robot has a reduced suction or climbing performance, clean the debris trapped in the impeller.

***The magnetic cap MUST be inserted back before any maintenance on the impeller.**



Follow the below steps:

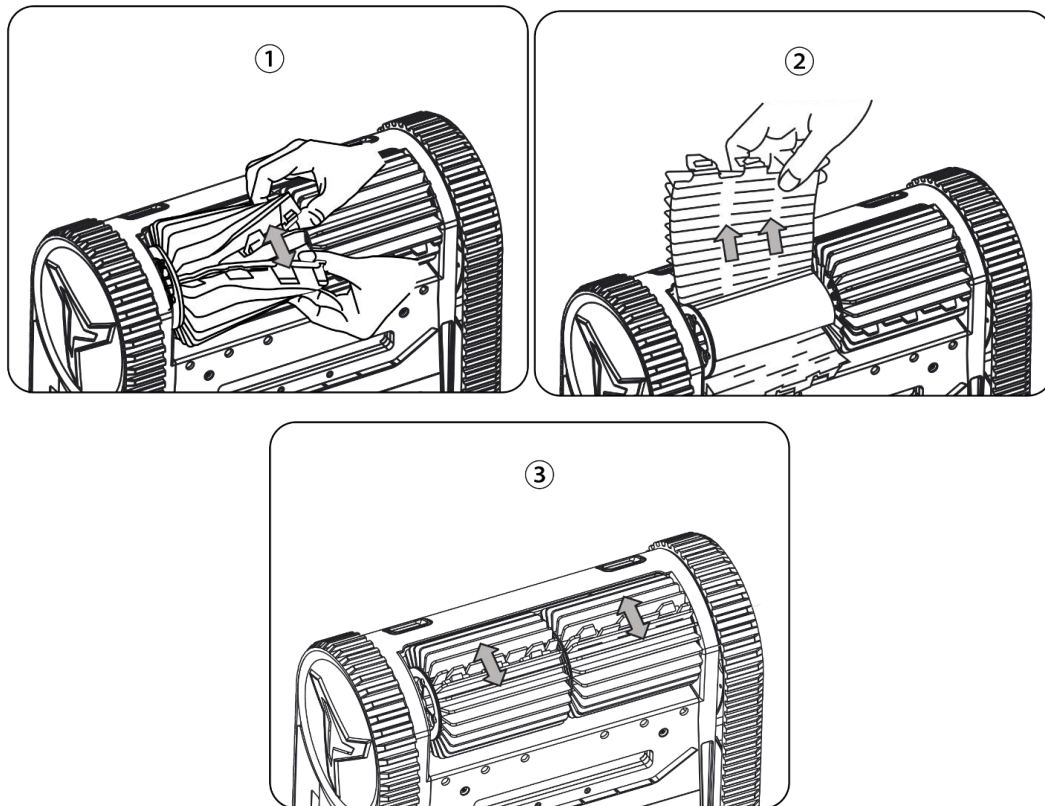


- ① Take out the filter box, remove the fixing screws of the inflow ring cover, and take out the inflow ring cover.
- ② Remove the deflector fixing screws and take out the deflector.
- ③ Remove the impeller screw and take out the impeller. Note: Wear gloves when removing the impeller to prevent injury from sharp edges.
- ④ Clean the impeller debris and reassemble all the parts mentioned above in order.

Note: If you have any difficulty with impeller maintenance, contact the dealer for assistance.

3.3 Replace the worn brushes

Remove the worn brushes & position the new brushes:

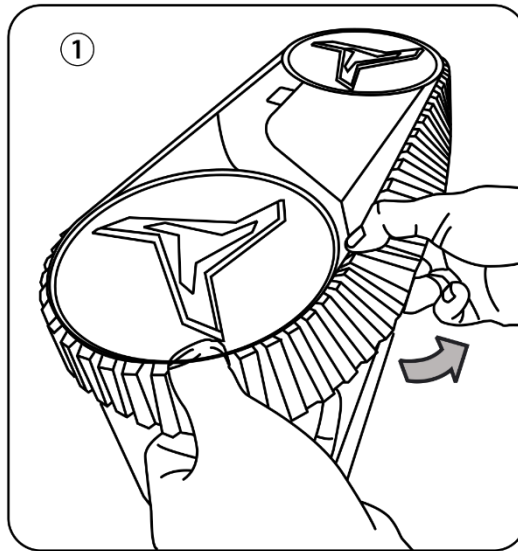


- ① Unfasten the tabs from the holes and remove the brushes.
- ② Fit the side without tabs under the brush holder.

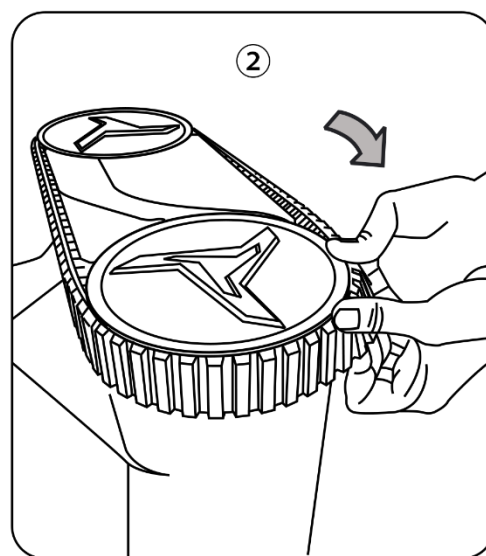
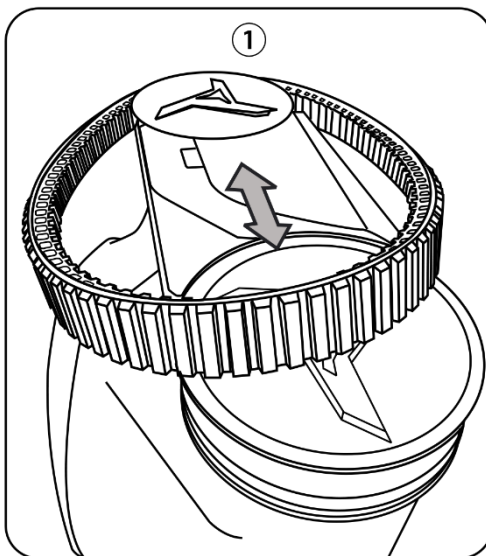
- ③ Roll the brush around its support, slide the tabs into the attachment holes and pull on the end of each tab until its edge passes through the slit.

3.4 Replace the worn tracks

Remove the worn tracks:



Position the new tracks:





SECTION 4. TROUBLESHOOTING

Failure	Possible reason	Solution
Charging failure	Debris on the electrode of charging head (Non-failure)	Clean debris
	The bottom Magnetic cap isn't removed (Non-failure)	Remove the Magnetic cap
	The charging kit is damaged	Replace the charging kit
Switching on failure	The Magnetic cap isn't removed (Non-failure)	Remove the Magnetic cap
	Water spots on the robot display or people's hand (Non-failure)	Keep the display and hands dry, then try again
	Wrong operation (Non-failure)	Hold the power button for 3 seconds
	No power in the battery (Non-failure)	Get the robot fully charged
Not working (not moving, not pumping)	Low battery (Non-failure)	Get the robot fully charged
	Out of water (Non-failure)	Make sure the robot under water and the indicator lights are on
	No pressing the on/off button after settings are done(Non-failure)	Press the on/off button after the settings are done, make sure indicator lights are on before putting the robot into water
	Full load of filter basket (Non-failure)	Clean filter basket
Moving but not pumping	The impeller gets stuck	Check whether there is too much debris in the guide ring, affecting the rotation of the impeller. (Please insert back the magnetic cap before operation, to avoid injuries caused by the impeller rotation)
	Full load of filter basket (Non-failure)	Clean filter basket
	Water inlet is blocked(Non-failure)	Take out of filter basket and clean water inlet
	Battery low (Non-failure)	Get the robot fully charged
Pumping but	The moving motor gets stuck	Please contact the dealer for a replacement

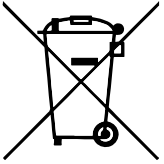
not moving	The track is deviated and stuck (Non-failure)	Turn the robot upside down and roll the track forward and backward to restore the track
	Track is damaged	Replace track
	Scrubber gets stuck (Non-failure)	Clean scrubber
	The robot gets stuck by obstacle and shut down for auto-protection (Non-failure)	Remove the obstacle and restart
	Full load of filter basket (Non-failure)	Clean filter basket
Not climbing	Under floor cleaning mode (Non-failure)	Turn to overall cleaning mode
	The impeller is stuck	Check whether there is too much debris in the guide ring, affecting the rotation of the impeller. (Please insert back the magnetic cap before operation, to avoid injuries caused by the impeller rotation)
	Full load of filter basket (Non-failure)	Clean filter basket
	Water inlet is blocked (Non-failure)	Take out of filter basket and clean the water inlet
Poor cleaning capability	Battery low (Non-failure)	Get the robot fully charged
	The impeller is stuck	Remove any debris or hair in the guide ring
	Full load of filter basket (Non-failure)	Clean filter basket
	Water inlet blocked (Non-failure)	Take out of filter basket and clean the water inlet
	Scrubber is damaged	Replace scrubber
	Filter basket is damaged	Replace filter basket
Unusual non-stop	Software failure	Insert the magnetic cap back for 5s, then remove it and restart
Error code	<ol style="list-style-type: none"> 1. Left drive failure 2. Right drive failure 3. Water pump failure 4. Control panel communication failure 5. Infrared sensor failure 6. Water sensor failure 	Restart the robot by the magnetic cap to check if the code disappears, if not, please contact the dealers

Note:

1. Do not use the robot when people or animals are in the pool.
2. Charger **MUST BE DISCONNECTED** before performing any maintenance on the robot.
3. Contact dealer for problems not include in Trouble Shooting Guide.
4. Normally, the robot will stop at the poolside when it encounters any failure or when the battery is less than 15%.
5. If an error occurs, please restart the robot by inserting back the magnetic cap at the bottom of the robot.
6. If the robot is malfunctioning, the error code will appear on the control panel (see 2.1) and the power button  on the control panel flashes red. Pressing the power button  might remove the error warning and allow operation, if error occurs again, please check troubleshooting guide.

Indoor

For switch power supply indoor use only.

Recycling

The robot contains a Lithium-ion battery, which should be recycled by qualified battery electronics recyclers. Recycling of batteries and battery-containing products benefits the environment and human health.

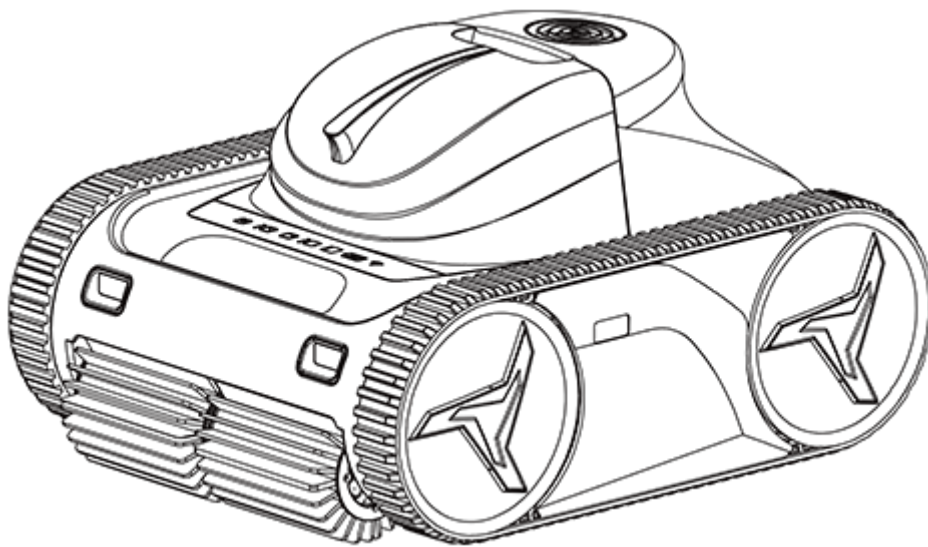


Do NOT disassemble or dispose of the battery in the rubbish or municipal recycling bins.

Warranty Exclusions**Warranty is invalid if any of the following apply:**

- Incorrect operation of the unit by not following correct instructions.
- Damage caused to the robot due to misuse or damage caused by any other means than manufacturer defect.
- If robotic pool cleaner is repaired or serviced by an unauthorized dealer or service station.
- If an unauthorized service station damaged battery seal.
- If you overcharge the battery by using a non-specified input power adapter.
- If you cause a fault in the operation of the machine by using non-specified accessories.

AKKU POOL REINIGUNGSROBOTER BENUTZERHANDBUCH



M30/45/60/80

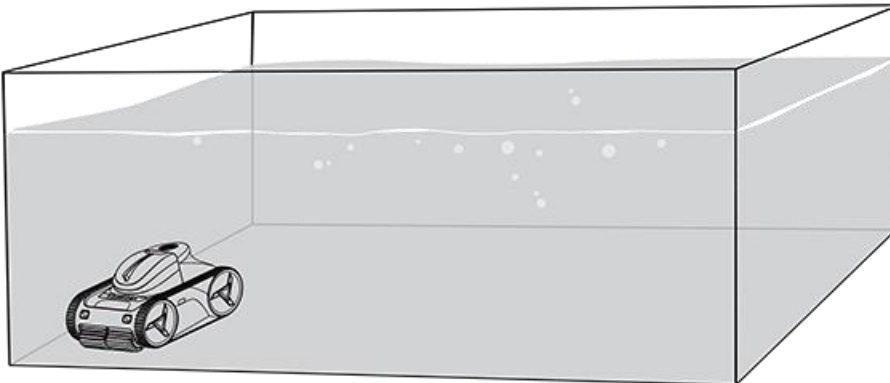
VIELEN DANK FÜR DEN KAUF DES POOL REINIGUNGSROBOTERS X30/60/80.

Bitte lesen Sie das Handbuch sorgfältig durch, bevor Installation oder Benutzung sorgfältig durch
und bewahren Sie es für den späteren Gebrauch auf.

★★ TIPPS ★★

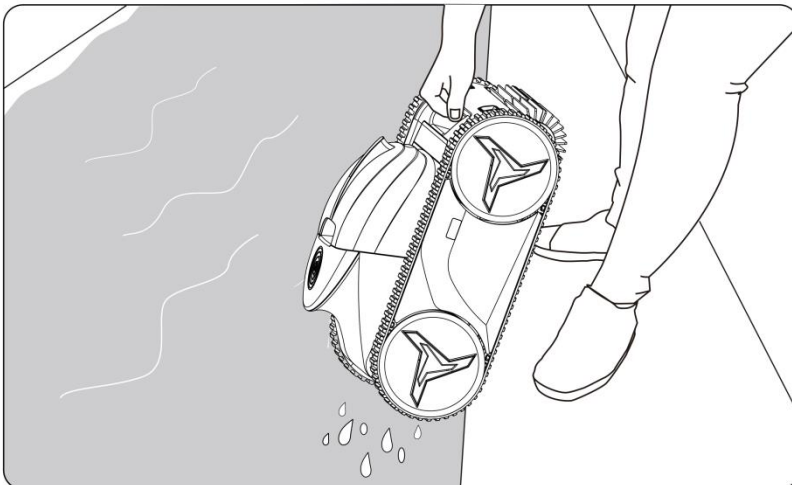
So erreichen Sie die effizienteste Reinigung

Platzieren Sie den Roboter in der Ecke des Schwimmbeckens, um den gesamten Bodenbereich schnell zu reinigen.

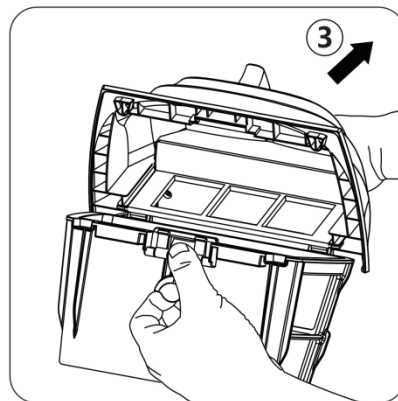
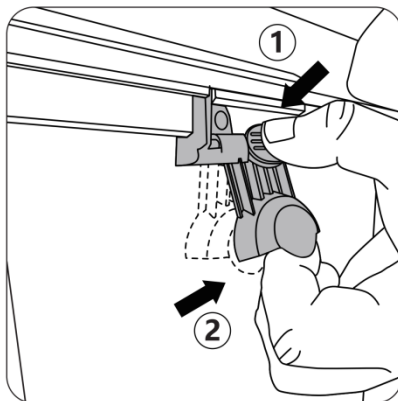
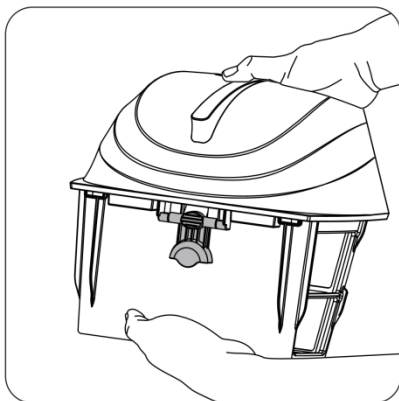


So lassen Sie das Wasser aus dem Roboter ablaufen

Stellen Sie den Roboter eine Weile auf den Rand des Schwimmbeckens und lassen Sie das Wasser ablaufen.

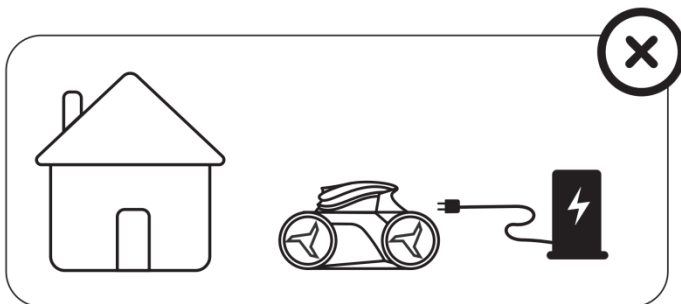


So öffnen Sie den Filterkorb

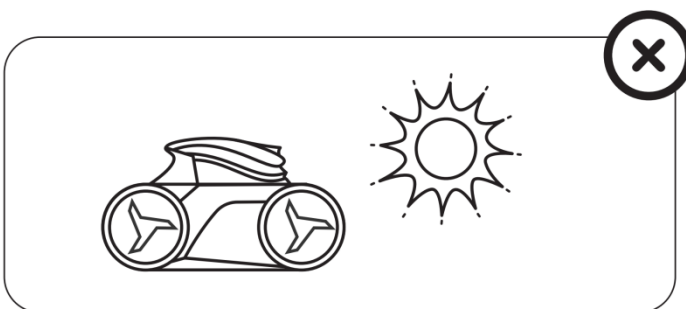


! Um die Batterie zu schützen, sollte der Roboter alle 3 Monate vollständig aufgeladen und die Magnetkappe wieder aufgesetzt werden, wenn der Roboter länger als 14 Tage nicht benutzt wird.

! Laden Sie den Roboter nicht im Freien auf.



! Setzen Sie den Roboter nicht dauerhaft der Sonne aus.



WARNUNGEN

Diese Seite enthält Informationen, die Ihnen helfen sollen, den Roboter sicher zu betreiben und Gefahren sowie Schäden am Roboter oder an anderen Gegenständen zu vermeiden.

ALLGEMEINE WARNHINWEISE

- Lesen Sie die Anweisungen, bevor Sie den Roboter in Betrieb nehmen.
- Der Roboter ist für die Reinigung von Schwimmbecken vorgesehen; verwenden Sie ihn nicht für andere Zwecke.
- Bewahren Sie den Roboter außerhalb der Reichweite von Kindern oder Personen mit eingeschränkten körperlichen, sensorischen oder geistigen Fähigkeiten auf, wenn diese nicht beaufsichtigt werden.
- Der Roboter muss wie in dieser Anleitung beschrieben installiert, betrieben und gewartet werden.
- Die Installation des Roboters muss gemäß den Richtlinien des Herstellers und in Übereinstimmung mit den einschlägigen Anforderungen der lokalen oder nationalen Normen für die Installation erfolgen. Der Hersteller haftet nicht für Folgen, die sich aus der Nichteinhaltung der Installations-, Betriebs- und Wartungsrichtlinien ergeben.
- Eine unsachgemäße Installation oder Verwendung des Roboters kann zu schweren Sachschäden oder Verletzungen von Personen führen.
- Schwimmen Sie nicht während sich der Roboter im Wasser befindet.

WARNHINWEISE ZUM GEBRAUCH

- Verwenden Sie zum Aufladen des Akkus nur das abnehmbare Netzteil, das mit dem Roboter geliefert wird. Es wird empfohlen, das Netzteil in einem Abstand von mindestens 3,5 Metern vom Beckenrand zu betreiben.
- Trennen Sie den Roboter von der Stromversorgung und bringen Sie die Magnetkappe wieder an, bevor Sie Wartungsarbeiten am Roboter durchführen.
- Bedienen Sie den Roboter nicht mit nassen Händen.
- Versuchen Sie nicht, den Roboter selbst zu reparieren oder den Motorkasten zu öffnen. Wenn eine Störung auftritt, wenden Sie sich bitte an Ihren Händler.
- Wenn beim Aufladen des Roboters eine Fehlfunktion oder Geruchsentwicklung auftritt, trennen Sie ihn sofort von der Stromversorgung und wenden Sie sich an Ihren Händler.
- Verwenden Sie für die Wartung und Reparatur nur Originalersatzteile des Herstellers.

ALLGEMEINE BETRIEBSBEDINGUNGEN

Wassertiefenbereich (m)	Wassertemperatur (°C)	PH	NaCl (PPM)	Chlor (PPM)
1-2,5	4-35	7,0-7,8	5000 MAX	4 MAX

Hinweis: Bei einer Wassertemperatur unter 15°C kann die Akkulaufzeit beeinträchtigt werden.

- Der Roboter wird für private Pools empfohlen.
- Der Roboter stoppt automatisch den Betrieb, wenn die Wassertiefe weniger als 40 cm beträgt, um den Motor zu schützen.
- Im Beckenbodenmodus klettert der Roboter nicht an der Wand hoch, wenn die Neigung 30° überschreitet.
- Verwenden Sie den Roboter nicht während einer Stoßchlorung.
- Verwenden Sie den Roboter nicht bei einem Gewitter.
- Setzen Sie den Roboter nicht über einen längeren Zeitraum direktem Regen oder Sonnenlicht aus.

ACHTUNG

- Halten Sie den Roboter am Beckenrand, um das Wasser ablaufen zu lassen, bevor Sie ihn aus dem Becken heben, und zwar langsam, um Rückenverletzungen zu vermeiden.
- Reinigen Sie den Filterkorb nach jedem Reinigungszyklus.
- Heben Sie den Roboter nur mit dem mitgelieferten Haken aus dem Wasser.

ACHTUNG

- Wenn der Batteriestand des Roboters unter 30 % liegt, reinigt er nur den Boden des Schwimmbeckens.
- Aufbewahrung des Roboters:

a. Stellen Sie sicher, dass der Roboter vor der Lagerung vollständig trocken ist. Dies verhindert eine Beschädigung der Motorbox oder des Gehäuses.

b. Der Filterkorb sollte nach dem Gebrauch gründlich gereinigt werden, und lassen Sie keinen Schmutz oder Rückstände im Filterkorb.

c. Das Ladekabel ist bei langfristiger Lagerung ordentlich und ohne Verdrehungen aufzubewahren.

- Optimale Lagertemperatur zwischen $-10-45^{\circ}\text{C}$ und Luftfeuchtigkeit zwischen 30%-70%.

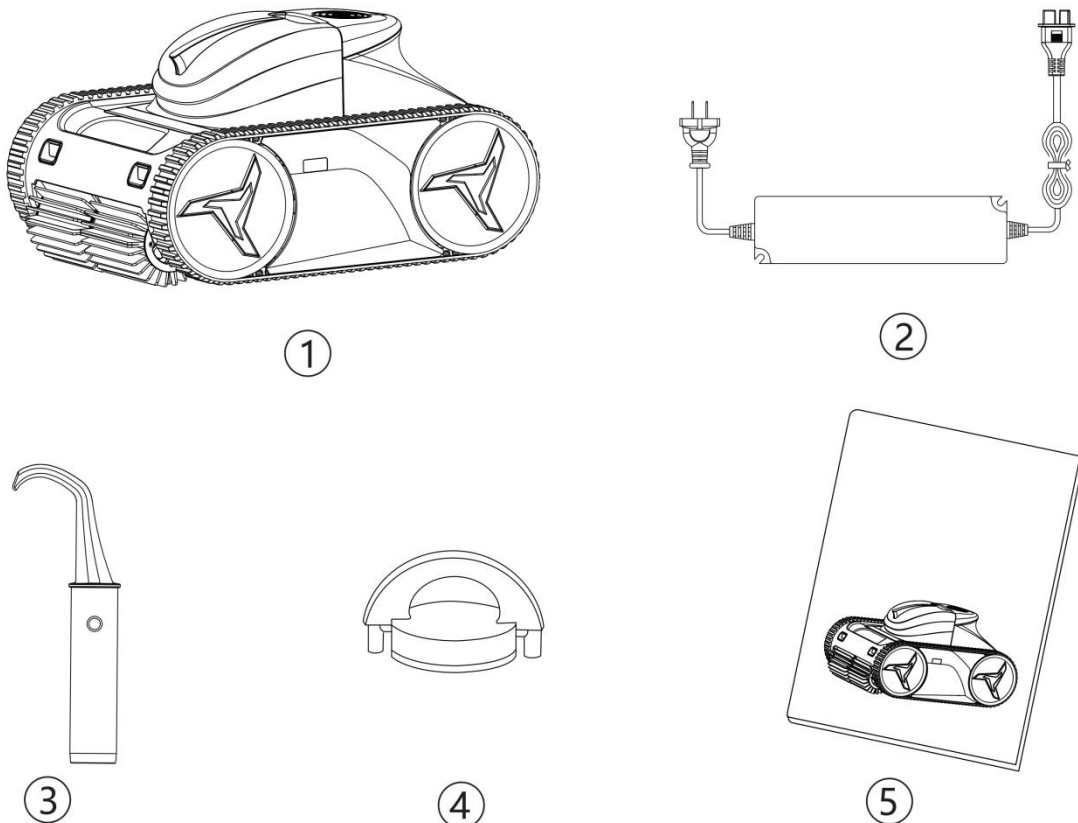
Inhaltsübersicht

ABSCHNITT 1. PRODUKTÜBERSICHT	1
1.1 Verpackungsinhalt	1
1.2 Technische Daten	2
1.3 Vorbereitung	3
ABSCHNITT 2. BETRIEB.....	4
2.1 Übersicht über das Bedienfeld	5
2.2 Bedienung am Display des Geräts	6
2.4 Aufladen des Roboters.....	7
2.5 WIFI-Einstellung	8
ABSCHNITT 3. WARTUNG	9
3.1 Wartung des Filters.....	9
3.2 Wartung des Laufrads.....	10
3.3 Austausch der Bürsten.....	11
3.4 Austausch der Laufräupen	12
ABSCHNITT 4. FEHLERSUCHE.....	13

ABSCHNITT 1. PRODUKTÜBERSICHT

1.1 Verpackungsinhalt

Die folgenden Teile sind in der Verpackung des Roboters enthalten. Bei Beschädigung oder fehlen diverser Teile wenden Sie sich bitte an Ihren Händler.



① InverX Roboter ② Ladegerät ③ Haken ④ Magnetkappe 2x ⑤ Benutzerhandbuch

Anmerkung:

1. Entfernen Sie die Magnetkappe ④, wenn Sie das Gerät benutzen oder aufladen. Setzen Sie die Magnetkappe wieder auf den Boden des Geräts, um die Batterie zu schützen, wenn Sie den Roboter länger als 14 Tage nicht benutzen.
2. Wenn der Roboter ausfällt, stecken Sie die Magnetkappe ④ für 2 Sekunden auf, entfernen Sie dann die Magnetkappe wieder ④ und starten Sie den Roboter neu.

1.2 Technische Daten

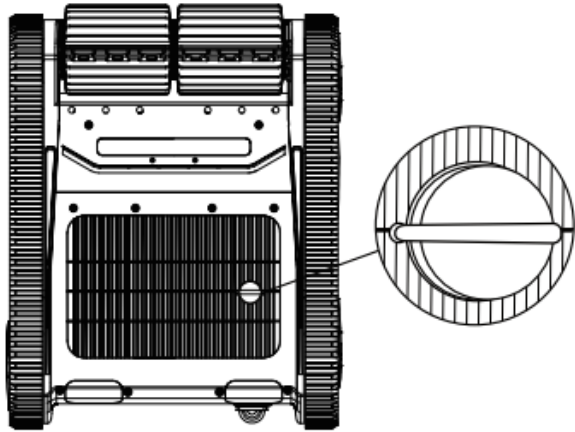
Modell	M80	M60	M45	M30
Referenz für die Akkulaufzeit*: Bodenmodus				
Laufzeit	8,0 h	6,0 h	4,5 h	3,0 h
Referenz für die Akkulaufzeit*: Modus Boden/Wand/Wasserlinie				
Laufzeit	4,5 h	3,5 h	2,5 h	2,0 h
Aufladezeit	8,0 h	6,0 h	4,5 h	3,0 h
Akku	14,0 Ah (352wh)	10,4 Ah (262wh)	7,8 Ah (196wh)	5,2 Ah (131wh)
Optimale Pooltemperatur	4~35°C			
Reinigungsmodus	Nur Boden; Boden /Wand /Wasserlinie			
Option für mehrere Zyklen	0,5 h /1,0 h /2,0 h /Vollbetrieb			
Zeiteinstellung	Reinigung alle 24 h /48 h /72 h			
App-Anwendung	Ja			
Kapazität des Filters	3,2 L			
Filterfeinheit	100 µm			
Pumpenleistung	22-15 (m³/h)	20-15 (m³/h)		
Leistung	30-110 W			
Fahrgeschwindigkeit	12 m/min			
Anzahl der Motoren	3			
Eingang des Ladegeräts	100-240 VAC ~ 50/60 Hz			
Betriebsspannung/Strom	25,2 V /1,2 A			
Leistung des Ladegeräts	72,5 W			
Roboter Netto/Brutto	12,0 / 17,0 kg	12,0 / 17,0 kg	11,5 / 16,5 kg	11,5 / 16,5 kg
Abmessungen des Roboters (L*B*H)	495*395*265 mm			
Abmessungen der Roboterverpackung (L*B*H)	580*448*330 mm			

* Hinweis: Die oben angegebene Arbeitszeit basiert auf einer 2-stündigen Reinigung bei Bodenbetrieb im Folienpool.

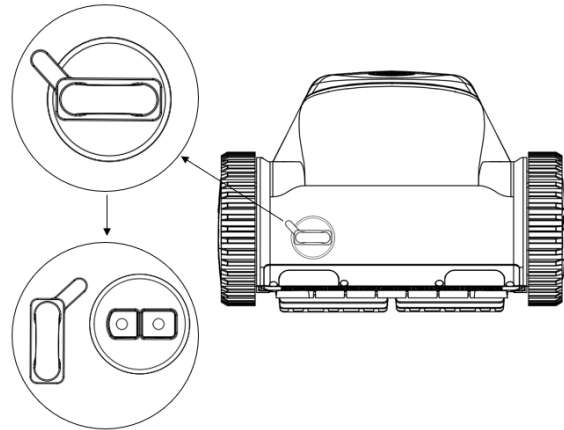
Hinweis: Der Hersteller behält sich das Recht vor, diese Spezifikationen ohne Vorankündigung zu ändern.

1.3 Vorbereitung

① Entfernen Sie die Magnetkappe von der Unterseite des Roboters und bewahren Sie sie gut auf.

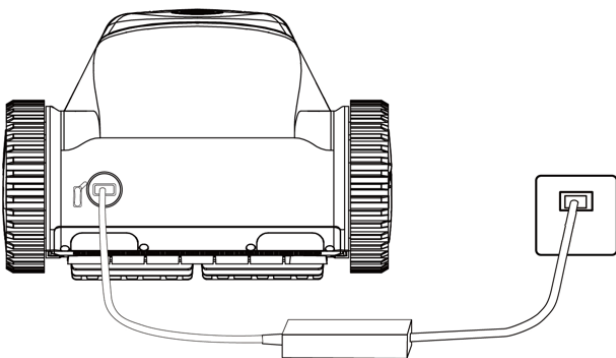


② Entfernen Sie die Steckerabdeckung. Wenn er vollständig geladen ist, verschließen Sie den Stecker wieder.

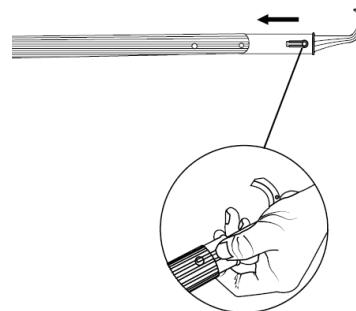


③ Schließen Sie den Roboter mit dem mitgelieferten Ladegerät an die Stromversorgung (100-240V) an. Bei 3 Lichtern ist die Batterie vollständig geladen. Laden Sie den Roboter vor dem ersten Gebrauch vollständig auf.

*Empfohlene Ladetemperatur: 6-35°C.



④ Befestigen Sie den mitgelieferten Haken an der Teleskopstange (Stange ist exklusiv).



ABSCHNITT 2. BETRIEB

⚠ VORSICHT

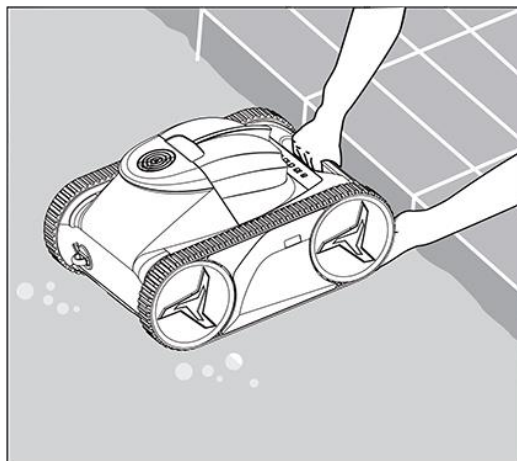
Um mögliche Schäden am Roboter oder an Personen zu vermeiden, beachten Sie bitte die folgenden

Hinweise:

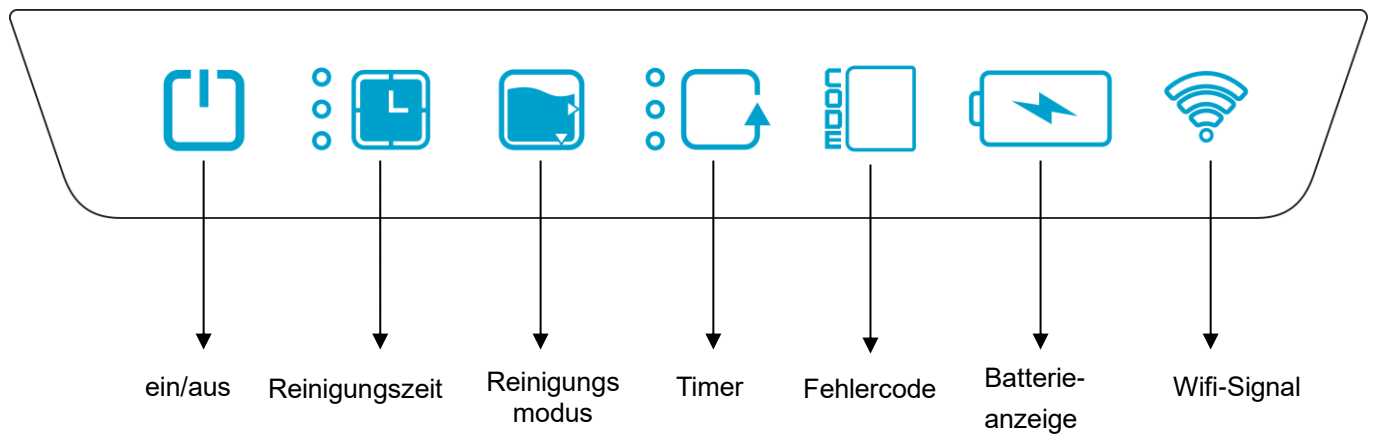
- Stellen Sie den Roboter nach der Reinigung an einen kühlen, trockenen Ort, der vor direkter Sonneneinstrahlung geschützt ist.
- Seien Sie vorsichtig, wenn Sie den Roboter aus dem Schwimmbecken nehmen, und lassen Sie das Wasser aus dem Roboter ablaufen, bevor Sie ihn anheben.

WICHTIG



- Wenn der Roboter eingeschaltet ist geben Sie ihn innerhalb von 3 Minuten ins Wasser das er sonst in den Ruhebetrieb wechselt.
- Reinigen Sie den Filterkorb nach dem Reinigungszyklus. Vermeiden Sie es, die Oberfläche des Filterkorbs mechanisch zu reinigen. Nur mit Wasser ausspülen.
- Der Roboter verfügt über eine Sicherheitsfunktion, die automatisch stoppt, wenn er ohne Wasser betrieben wird.
- Bewegen Sie den Roboter in alle Richtungen, um die im Roboter eingeschlossene Luft herauszulassen damit er auf den Boden sinken kann.





2.1 Übersicht über das Bedienfeld



Art der Schaltfläche	Symbol	Anzeige Status	Beschreibung
Netzschalter		Grünes Licht blinkt	Status der Einrichtung
		Grünes Licht leuchtet	Betriebsstatus unter Wasser
Reinigungszeit		1 grünes Licht leuchtet	Reinigungszeit: 0,5 Stunden
		2 grüne Lichter leuchten	Reinigungszeit: 1,0 Stunden
		3 grüne Lichter leuchten	Reinigungszeit: 2,0 Stunden
		Alle Lichter sind aus	Reinigung bis der Akku leer ist
Reinigungsmodus		Dreieckiges grünes Licht an der Unterseite leuchtet	Bodenreinigungsmodus
		Beide dreieckigen grünen Lichter leuchten	Gesamtreinigungsmodus (Boden, Wand, Wasserlinie)
Timer		1 grünes Licht leuchtet	Reinigung alle 24 Stunden
		2 grüne Lichter leuchten	Reinigung alle 48 Stunden
		3 grüne Lichter leuchten	Reinigung alle 72 Stunden
		Alle Lichter sind aus	Kein Reinigungszyklus
Fehlercode		1	Ausfall des linken Antriebs
		2	Ausfall des rechten Antriebs
		3	Ausfall der Pumpe
		4	Kommunikationsfehler



		5	Ausfall des Infrarotsensors
		6	Ausfall des Wassersensors
Batterieleuchte (Normalbetrieb)		1 grünes Licht leuchtet	Batteriestand: 20-50%
		2 grüne Lichter leuchten	Batteriestand: 50-75%
		3 grüne Lichter leuchten	Batteriestand: 75-100%
Schwache Batterie		1 rotes Licht blinkt	Batteriestand: 15-20%
Batterieleuchte (Ladestatus)		1 grünes Licht blinkt	Batteriestand: 0-50%
		1 grünes Licht leuchtet, 1 grünes Licht blinkt	Batteriestand: 50-75%
		2 grüne Lichter leuchten, 1 grünes Licht blinkt	Batteriestand: 75-100%
		3 grüne Lichter leuchten	Batteriestand: 100%
Wifi-Signal		Grünes Licht blinkt	Verbindungsstatus
		Grünes Licht leuchtet	Das Netzwerk wurde angepasst
		Rotes Licht blinkt	Fehlgeschlagene Verbindung


2.2 Bedienung am Display des Geräts

- 3 Sekunden lang  gedrückt halten, um den Roboter einzuschalten. Wenn die LED blinkt, beginnt die Einrichtung des Roboters. Nach der Einrichtung drücken Sie zur Bestätigung erneut  Sobald die Einrichtung abgeschlossen ist, setzen Sie den Roboter ins Wasser. Der Roboter beginnt automatisch mit der Reinigung, sobald er den Boden berührt. Wenn der Roboter innerhalb von 3 Minuten nach der Einrichtung nicht in Betrieb genommen wird, schaltet er sich ab und geht in den Ruhemodus über.

*Hinweis: Es gibt zwei verschiedene Möglichkeiten, den einzustellen: 

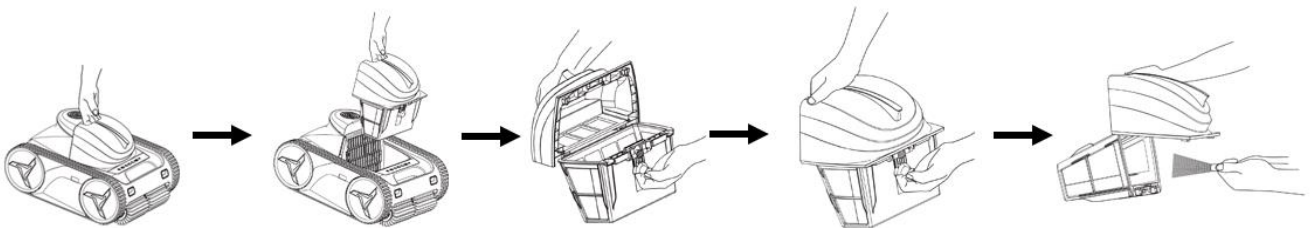
(Nehmen Sie zum Beispiel die Einstellung "Reinigung alle 24 Stunden" im AI Timer)

- Drücken Sie einmal  und setzen Sie den Roboter ins Wasser. Der Roboter wird sofort starten. Nach einem Reinigungszyklus geht der Roboter in den Schlafmodus und wacht nach 24 Stunden automatisch auf.
- Drücken Sie  3 Sekunden lang und setzen Sie den Roboter dann ins Wasser. Der Roboter geht in den Schlafmodus über. Nach 24 Stunden wacht der Roboter automatisch auf und beginnt mit der Reinigung.

2. wenn die Batterie während des Reinigungszyklus weniger als 15 % beträgt, blinkt  ständig rot, und der Roboter parkt selbständig am Beckenrand. Er geht nach 5 Minuten in den Schlafmodus über.

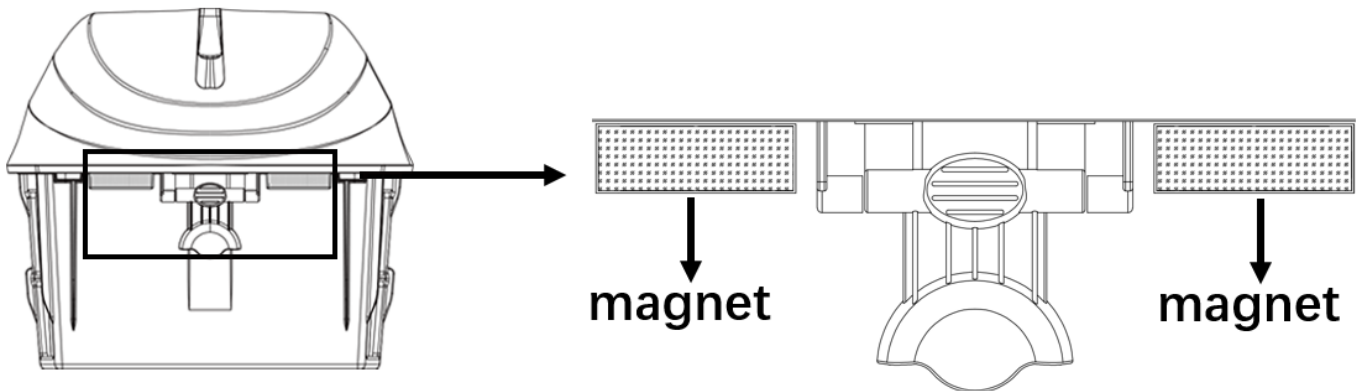
2.3 Reinigung des Filterkorbs

Nach einem Reinigungszyklus parkt der Roboter von selbst am Beckenrand. Verwenden Sie den Haken, um den Griff zu fassen und den Roboter aus dem Wasser zu heben, lassen Sie das Wasser aus dem Roboter ab und reinigen Sie den Filterkorb wie unten dargestellt:

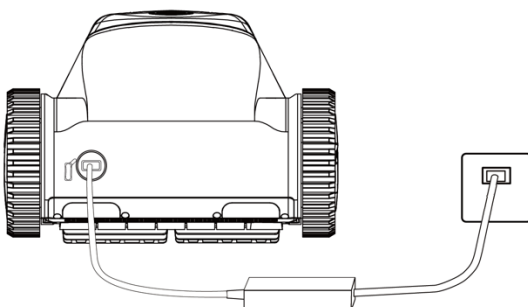


Hinweis:

Um Verletzungen zu vermeiden, tragen Sie beim Reinigen des Filterkorbs Gummihandschuhe.



2.4 Aufladen des Roboters







1. Schließen Sie den Adapter an die Stromversorgung an und vergewissern Sie sich, dass die Kontrollleuchte grün leuchtet.
2. Öffnen Sie die Abdeckung des Steckers des Roboters, um den Adapter anzuschließen.
3. Wenn die 3 Balken der Batterie grün leuchten, ist der Roboter vollständig aufgeladen.
4. Vergewissern Sie sich vor dem Aufladen, dass der Ladeanschluss trocken ist.
5. Trennen Sie das Ladegerät nach dem Aufladen, um die Batterie zu schützen.
6. Der Ladestecker sollte vor der Benutzung des Roboters eingesteckt werden.
7. Wenn der Roboter für längere Zeit gelagert werden muss, sollte er zum Schutz mindestens alle drei Monate vollständig aufgeladen werden.

Hinweis: Verwenden Sie für den Roboter NUR das Originalnetzteil.

2.5 WIFI-Anpassung

*Achtung:

1. Schalten Sie Bluetooth und Wifi vor der APP-Verbindung ein.
2. Vergewissern Sie sich, dass das angeschlossene Wifi-Netzwerk 2,4 GHz und ein gutes Signal hat.
3. Erlauben Sie der APP den Zugriff auf Bluetooth.
4. Stellen Sie sicher, dass  während der APP-Verbindung blinkt.

Halten Sie  3 Sekunden lang gedrückt, dann ertönt ein Piepton, der Roboter geht in den Matching-Modus und  beginnt zu blinken, Öffnen Sie die "AI-BOT" APP, um das Gerät zu suchen und den Roboter mit Ihrem Netzwerk abzugleichen und den Abgleich zu starten, der Roboter piept dreimal und  wird grün, nachdem das Netzwerk abgeglichen wurde.

Die Einrichtung des Roboters kann über die APP über Wifi oder Bluetooth erfolgen.

Die Einrichtung des Roboters kann nicht über die APP erfolgen, wenn sich der Roboter im Schwimmbecken befindet (aufgrund der physikalischen Beschränkung der Funksignalpenetration im Wasser).

Hinweis: Laden Sie die "AI-BOT" APP im iOS App Store/ Google Play Store herunter.



ABSCHNITT 3. WARTUNG

⚠️ WARNUNG

1. Um Stromschläge und andere Gefahren zu vermeiden, die zu schweren Verletzungen führen können, trennen Sie den Adapter von der Stromquelle, bevor Sie Reinigungs- und Wartungsarbeiten durchführen.
2. Setzen Sie vor jeder Wartung die Magnetkappe wieder ein, um Verletzungen durch die Rotation des Laufrades zu vermeiden.

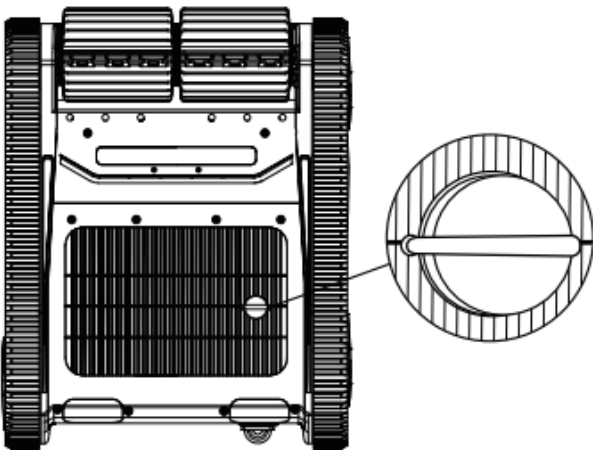
3.1 Wartung des Filters

1. Reinigen Sie den Filter gründlich und regelmäßig, um eine bessere Reinigungs- und Steigleistung zu erzielen. Andernfalls kann die Reinigungs- und Steigleistung beeinträchtigt werden, wenn der Filter voll oder verstopft ist.
2. Reinigen Sie den verstopften Filter jährlich mit einem milden, säurehaltigen Reinigungsmittel, wobei Sie während des Vorgangs eine geeignete Sicherheitsausrüstung tragen müssen.

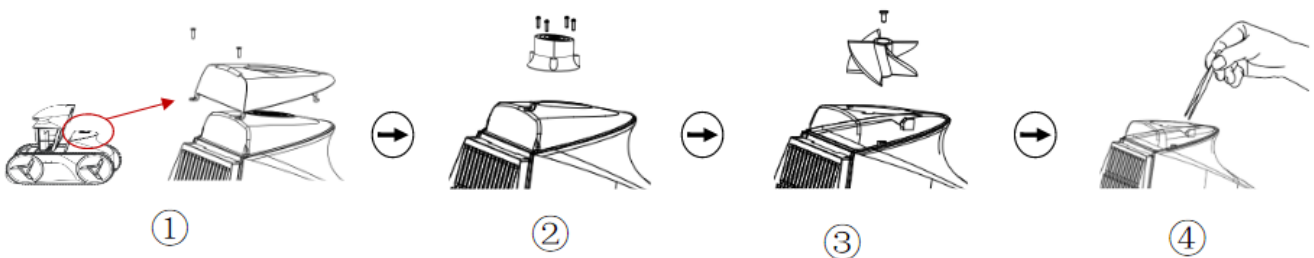
3.2 Wartung des Laufrads

Überprüfen Sie visuell, ob sich das Laufrad oder die Laufradwelle mit Haaren oder anderen Verunreinigungen verfangen hat, wenn der Roboter eine verminderte Saug- oder Steigleistung aufweist, reinigen Sie die im Laufrad eingeschlossenen Verunreinigungen.

***Die Magnetkappe MUSS vor jeder Wartung des Laufrads wieder aufgesetzt werden.**



Führen Sie die folgenden Schritte aus:

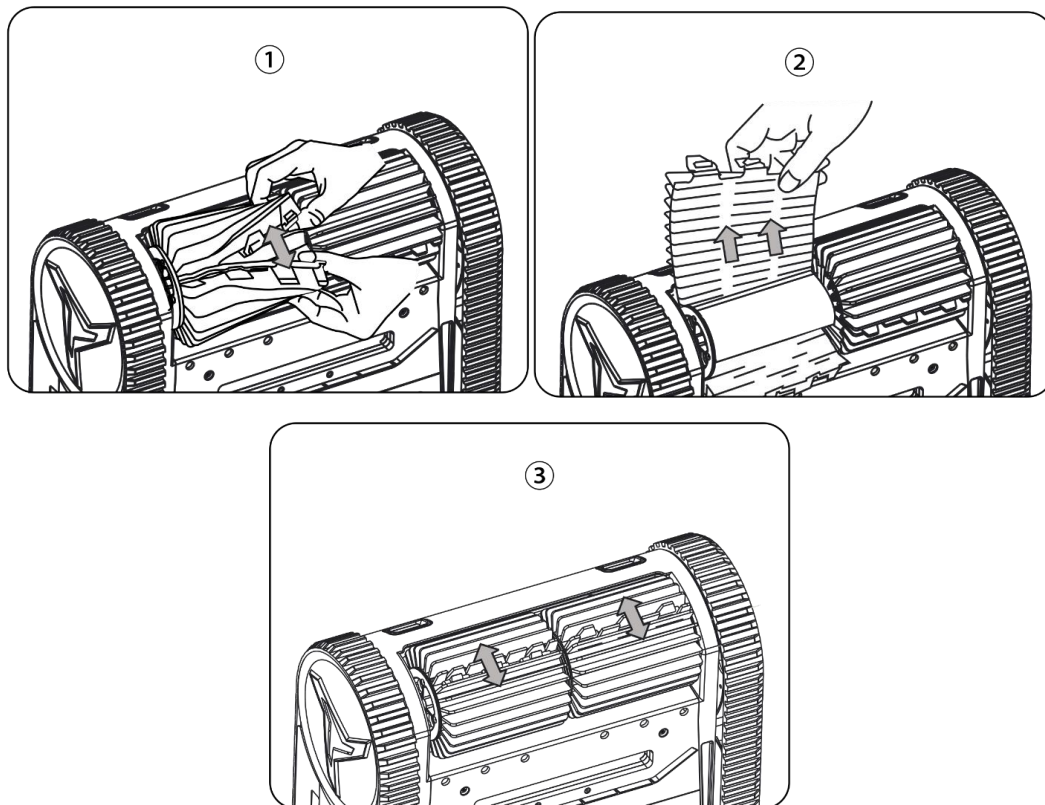


- ① Nehmen Sie den Filterkasten heraus, entfernen Sie die Befestigungsschrauben des Einströmringdeckels und nehmen Sie den Einströmringdeckel heraus.
- ② Entfernen Sie die Befestigungsschrauben des Deflektors und nehmen Sie den Deflektor heraus.
- ③ Entfernen Sie die Laufradschraube und nehmen Sie das Laufrad heraus. Hinweis: Tragen Sie beim Entfernen des Laufrads Handschuhe, um Verletzungen durch scharfe Kanten zu vermeiden.
- ④ Reinigen Sie das Laufrad und bauen Sie alle oben genannten Teile in der richtigen Reihenfolge wieder zusammen.

Hinweis: Wenn Sie Schwierigkeiten mit der Wartung des Laufrads haben, wenden Sie sich an den Händler, um Hilfe zu erhalten.

3.3 Ersetzen Sie die abgenutzten Bürsten

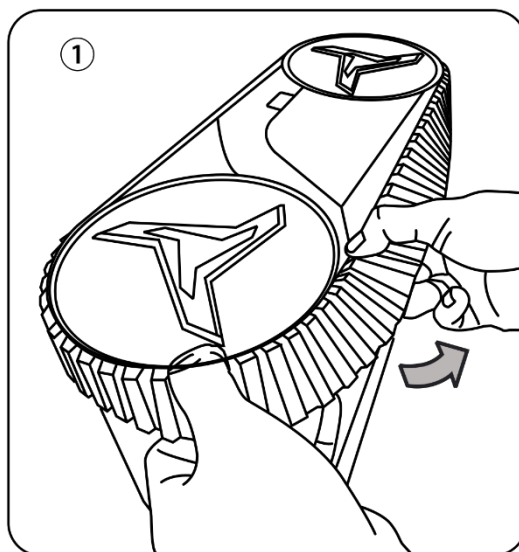
Entfernen Sie die abgenutzten Bürsten und setzen Sie die neuen Bürsten ein:



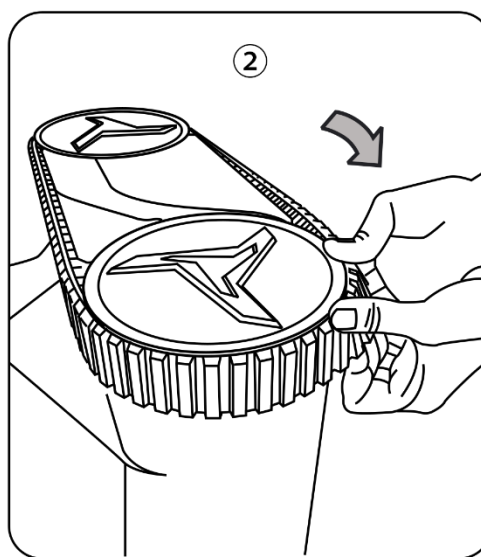
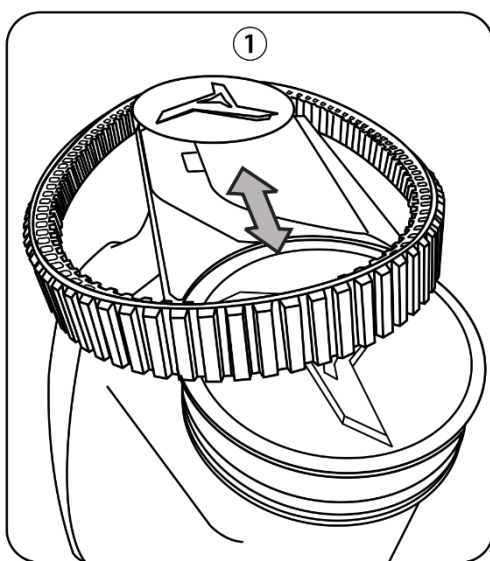
- ① Lösen Sie die Laschen aus den Löchern und entfernen Sie die Bürsten.
- ② Setzen Sie die Seite ohne Laschen unter den Bürstenhalter.
- ③ Rollen Sie die Bürste um ihre Halterung, schieben Sie die Laschen in die Befestigungslöcher und ziehen Sie am Ende jeder Lasche, bis ihre Kante durch den Schlitz passt.

3.4 Ersetzen Sie die verschlissenen Raupen

Entfernen Sie die verschlissenen Raupen:



Positionieren Sie die neuen Raupen:





ABSCHNITT 4. FEHLERSUCHE

Störung	Mögliche Ursache	Lösung
Fehler beim Aufladen	Schmutz auf der Elektrode des Aufladepfandes (kein Fehler)	Verunreinigungen entfernen
	Die untere Magnetkappe ist nicht entfernt (kein Fehler)	Entfernen Sie die Magnetkappe
	Der Ladesatz ist beschädigt	Ersetzen Sie den Ladesatz
Einschaltfehler	Die Magnetkappe wurde nicht entfernt (Nicht-Fehler)	Entfernen Sie die Magnetkappe
	Wasserflecken auf dem Display des Roboters oder auf der Hand des Benutzers (kein Fehler)	Halten Sie das Display und die Hände trocken und versuchen Sie es dann erneut
	Falsche Bedienung (Nicht-Fehler)	Halten Sie die Einschalttaste 3 Sekunden lang gedrückt
	Kein Strom in der Batterie (kein Fehler)	Laden Sie den Roboter vollständig auf
Funktioniert nicht (bewegt sich nicht, pumpt nicht)	Schwache Batterie (kein Fehler)	Laden Sie den Roboter vollständig auf
	Außerhalb des Wassers (kein Fehler)	Vergewissern Sie sich, dass der Roboter unter Wasser ist und die Anzeigelampen eingeschaltet sind
	Kein Drücken der Ein-/Ausschalttaste nach den Einstellungen (kein Fehler)	Drücken Sie die Ein/Aus-Taste, nachdem die Einstellungen vorgenommen wurden, und vergewissern Sie sich, dass die Anzeigelampen leuchten, bevor Sie den Roboter ins Wasser stellen
	Filterkorb voll beladen (kein Fehler)	Filterkorb reinigen
Das Laufrad bewegt sich, pumpt aber nicht	Das Laufrad sitzt fest	Prüfen Sie, ob sich zu viele Ablagerungen im Führungsring befinden, die die Drehung des Laufrads beeinträchtigen. (Bitte setzen Sie die Magnetkappe vor dem Betrieb wieder ein, um Verletzungen durch die Rotation des Laufrades zu vermeiden)
	Filterkorb voll beladen (kein Ausfall)	Filterkorb reinigen

	Wasserzulauf ist verstopft (kein Fehler)	Nehmen Sie den Filterkorb heraus und reinigen Sie den Wasserzulauf
	Batterie schwach (kein Fehler)	Laden Sie den Roboter vollständig auf
Pumpen, aber keine Bewegung	Der bewegliche Motor bleibt stecken	Wenden Sie sich bitte an den Händler, um einen Ersatz zu erhalten
	Die Schiene ist verrutscht und klemmt (Nicht-Fehler)	Drehen Sie den Roboter auf den Kopf und rollen Sie die Schiene vorwärts und rückwärts, um die Schiene wiederherzustellen
	Die Raupe ist beschädigt	Ersetzen Sie die Schiene
	Der Schrubber sitzt fest (kein Fehler)	Schrubber reinigen
	Der Roboter bleibt an einem Hindernis hängen und schaltet sich zum Selbstschutz ab (kein Fehler)	Entfernen Sie das Hindernis und starten Sie neu
	Filterkorb voll beladen (kein Fehler)	Filterkorb reinigen
Nicht steigend	Unterflur-Reinigungsmodus (Nicht-Ausfall)	In den Gesamtreinigungsmodus wechseln
	Das Laufrad ist blockiert	Prüfen Sie, ob sich zu viele Ablagerungen im Führungsring befinden, die die Rotation des Laufrads beeinträchtigen. (Bitte setzen Sie die Magnetkappe vor dem Betrieb wieder ein, um Verletzungen durch das rotierende Laufrad zu vermeiden)
	Vollständige Beladung des Filterkorbs (kein Ausfall)	Filterkorb reinigen
	Wasserzulauf ist verstopft (kein Fehler)	Nehmen Sie den Filterkorb heraus und reinigen Sie den Wasserzulauf
Schlechte Reinigungsleistung	Batterie schwach (kein Fehler)	Laden Sie den Roboter vollständig auf
	Das Laufrad ist verklemmt	Entfernen Sie Verunreinigungen oder Haare im Führungsring
	Filterkorb voll beladen (kein Fehler)	Filterkorb reinigen

	Wassereinlass verstopft (kein Fehler)	Nehmen Sie den Filterkorb heraus und reinigen Sie den Wassereinlass
	Wäscher ist beschädigt	Wäscher auswechseln
	Filterkorb ist beschädigt	Filterkorb auswechseln
Ungewöhnlicher Non-Stop	Software-Fehler	Setzen Sie die Magnetkappe für 5 Sekunden ein, entfernen Sie sie dann und starten Sie neu
Fehlermeldung	<ol style="list-style-type: none"> 1. linkes Laufwerk defekt 2. rechtes Laufwerk defekt 3. defekte Wasserpumpe 4. fehlerhafte Kommunikation mit dem Bedienfeld 5. fehlerhafter Infrarotsensor 6. defekter Wassersensor 	Starten Sie den Roboter mit der Magnetkappe neu, um zu prüfen, ob der Code verschwindet. Wenn nicht, wenden Sie sich bitte an den Händler

Hinweis:

1. Verwenden Sie den Roboter nicht, wenn sich Menschen oder Tiere im Schwimmbecken befinden.
2. Das Ladegerät MUSS vor der Durchführung von Wartungsarbeiten am Roboter abgetrennt werden.
3. Wenden Sie sich bei Problemen, die nicht in der Anleitung zur Fehlerbehebung aufgeführt sind, an Ihren Händler.
4. Normalerweise hält der Roboter am Beckenrand an, wenn eine Störung auftritt oder wenn die Batterie weniger als 15 % beträgt.
5. Wenn ein Fehler auftritt, starten Sie den Roboter bitte neu, indem Sie die Magnetkappe an der Unterseite des Roboters wieder aufsetzen.
6. Bei einer Fehlfunktion des Roboters wird der Fehlercode auf dem Bedienfeld angezeigt (siehe 2.1) und der Netzschalter  auf dem Bedienfeld blinkt rot. Durch Drücken der Einschalttaste  kann die Fehlerwarnung aufgehoben und der Betrieb wieder aufgenommen werden.

Innenbereich




Nur für Schaltnetzteile zur Verwendung in Innenräumen.

Recycling



Der Roboter enthält einen Lithium-Ionen-Akku, der von qualifizierten Recyclern für elektronische Batterien recycelt werden sollte. Das Recycling von Batterien und batteriehaltigen Produkten kommt der Umwelt und der menschlichen Gesundheit zugute.

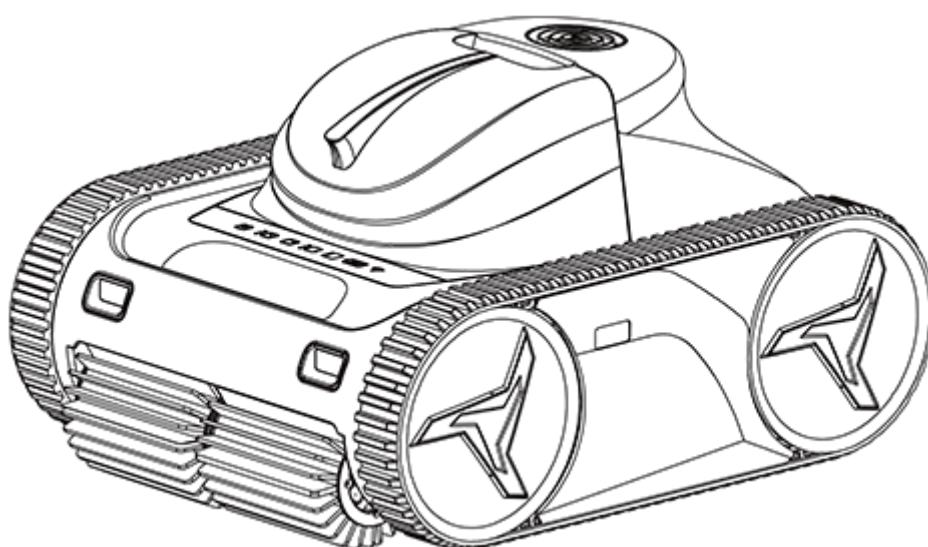
 Zerlegen Sie den Akku NICHT und entsorgen Sie ihn NICHT über den Müll oder die kommunale Recyclingtonne.

Ausschluss der Garantie

Die Garantie ist ungültig, wenn einer der folgenden Punkte zutrifft:

- Unsachgemäße Bedienung des Geräts durch Nichtbeachtung der korrekten Anweisungen.
- Beschädigung des Roboters durch unsachgemäßen Gebrauch oder Beschädigung durch andere Ursachen als einen Herstellerfehler.
- Wenn der Roboter-Poolreiniger von einem nicht autorisierten Händler oder einer nicht autorisierten Servicestation repariert oder gewartet wird.
- Wenn eine nicht autorisierte Servicestation das Batteriesiegel beschädigt.
- Wenn Sie die Batterie durch Verwendung eines nicht spezifizierten Netzadapters überladen.
- Wenn Sie durch die Verwendung von nicht spezifiziertem Zubehör eine Störung im Betrieb des Geräts verursachen.

AI-GESTUURDE DRAADLOZE ZWEMBADREINIGINGSROBOT GEBRUIKSAANWIJZING



M30/45/60/80

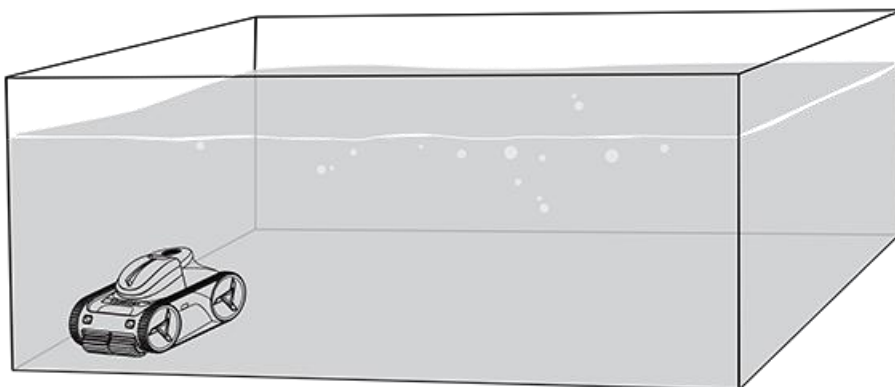
**BEDANKT VOOR UW AANKOOP VAN DE X30/45/60/80 AI-GESTUURDE DRAADLOZE
ZWEMBADREINIGINGSROBOT**

Lees deze handleiding aandachtig voordat u de robot
installeert of gebruikt, en bewaar deze voor later gebruik.

★★ TIPS ★★

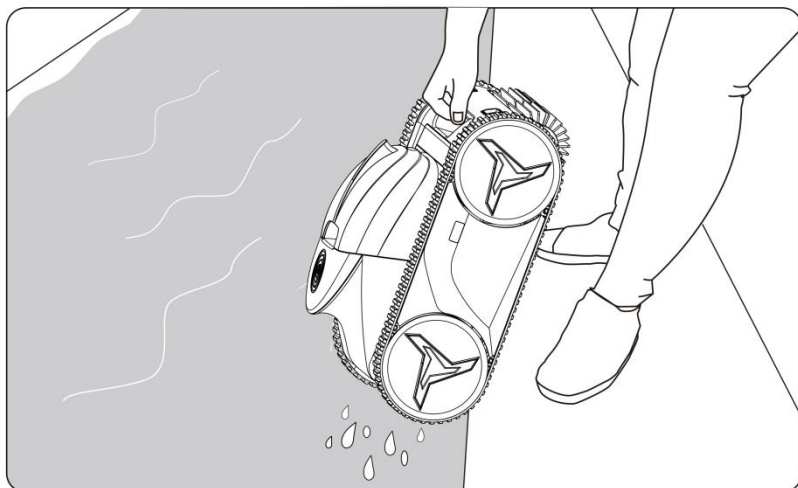
Hoe krijg ik het beste reinigingsresultaat ?

Plaats de robot in de hoek van het zwembad om snel het hele zwembadoppervlak te reinigen.

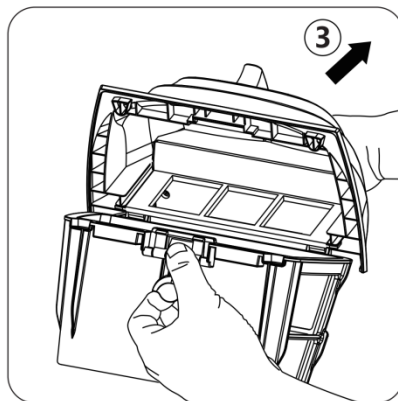
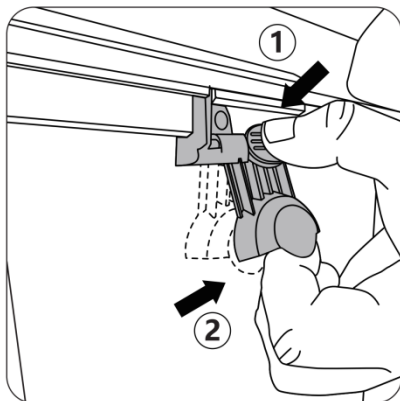
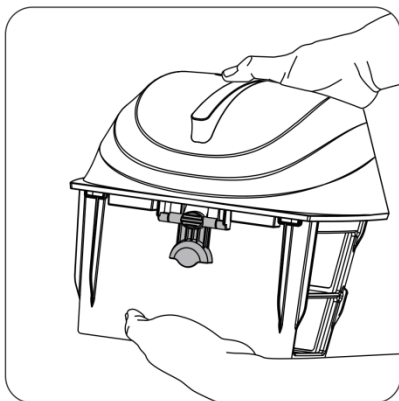


Hoe verwijder ik water uit de robot ?

Plaats de robot op de rand van het zwembad en laat het water eruit wegllopen.

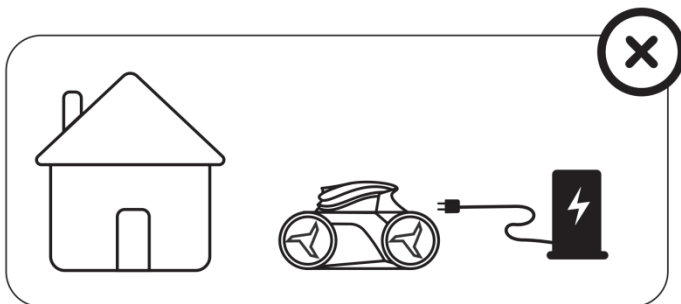


Hoe maak ik de filterbak open ?

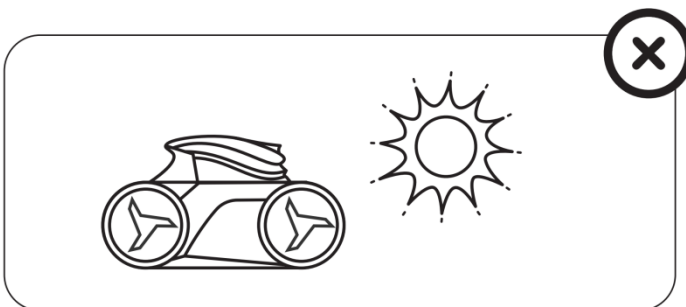


! Om de accu te beschermen, moet u de robot om de 3 maanden volledig opladen en de magneetkap terugplaatsen als u de robot langer dan 14 dagen niet gebruikt.

! Laad de robot niet buitenshuis op.



! Stel de robot niet langdurig bloot aan de zon.



WAARSCHUWINGEN

Op deze pagina vindt u informatie om de robot veilig te bedienen en om gevaren en schade aan de robot of andere eigendommen te voorkomen.

ALGEMENE WAARSCHUWINGEN

- Lees de instructies voordat u de robot gebruikt.
- De robot is ontworpen om voor zwembadreiniging; gebruik hem niet voor andere doeleinden.
- Houd de robot buiten het bereik van kinderen of van personen met verminderde lichamelijke, zintuiglijke of verstandelijke vermogens, tenzij zij onder toezicht staan of instructies krijgen.
- De robot moet worden geïnstalleerd, bediend en onderhouden zoals aangegeven in deze handleiding.
- De robot moet worden geïnstalleerd volgens de richtlijnen van de fabrikant en in overeenstemming met de relevante vereisten van de lokale of nationale installatievoorschriften. De fabrikant is niet aansprakelijk voor de gevolgen van het niet naleven van de installatie-, gebruiks- of onderhoudsinstructies.
- Bij onjuiste installatie of verkeerd gebruik kan de robot ernstige letsels of materiële schade veroorzaken.
- Ga niet in het zwembad terwijl de robot zich in het water bevindt.

WAARSCHUWINGEN VOOR GEBRUIK

- Gebruik alleen de bij de robot geleverde wegneembare voedingseenheid om de accu op te laden. Aangeraden wordt de voeding op ten minste 3,5 m van de rand van het zwembad te plaatsen.
- Koppel de robot los van de voeding en zet de magneetkap terug op zijn plaats voordat u onderhoud aan de robot uitvoert.
- Bedien de robot niet met koude, natte handen om gevoelloosheid te voorkomen.
- Probeer bij storingen niet de robot zelf te repareren of de motorbehuizing open te maken, maar roep de hulp van uw dealer in.
- Als u tijdens het opladen een ongewone geur of iets abnormaals opmerkt, koppel dan de voeding onmiddellijk los en neem contact op met uw dealer.
- Gebruik bij onderhoud en reparatie alleen door de fabrikant geleverde originele reserveonderdelen.

ALGEMENE BEDRIJFSOMSTANDIGHEDEN

Max. waterdiepte (m)	Watertemperatuur (°C)	pH	NaCl (ppm)	Chloor (ppm)
1-2,5	4-35	7,0-7,8	Max. 5000	Max. 4

Opmerking: Een watertemperatuur beneden 15°C kan de duurvermogenstijd van de robot aantasten.

- De robot wordt aanbevolen voor privézwembaden.
- Als het water minder dan 40 cm diep is, stopt de robot automatisch om de motor te beschermen.
- In bodemreinigingsmodus beklimt de robot de wand van het zwembad niet als de helling groter is dan 30°.
- Gebruik de robot niet tijdens een chloorshockbehandeling.
- Gebruik de robot niet als het onweert of stormt.
- Stel de robot niet langdurig bloot aan regen of direct zonlicht.

VOORZORGSMATREGELEN

- Houd de robot bij de rand van het zwembad om het water eruit te laten weglopen. Til de robot daarna langzaam uit het zwembad om rugletsel te voorkomen.
- Maak de filterkorf schoon na elke reinigingscyclus.
- Til de robot niet uit het water door aan een rupsband te trekken.

HERINNERING

- Als de accu van de robot voor minder dan 30% opgeladen is, reinigt hij alleen de bodem van het zwembad.
- Werkwijze om de robot op te bergen:
 - a. Zorg ervoor dat de robot volledig droog is voordat u hem opbergt. Zo voorkomt u schade aan de robot, de motoren of de inwendige structuur.
 - b. Maak de filterkorf na elk gebruik grondig schoon en laat geen vuil of afval in de filterkorf opdrogen.
 - c. Als u de robot lange tijd niet gebruikt, moet u de oplaadkabel netjes opbergen zodat die niet in de knoop kan raken.
- Optimale opslagtemperatuur tussen -10 en 45°C en relatieve vochtigheidsgraad bij opslag tussen 30% en 70%.

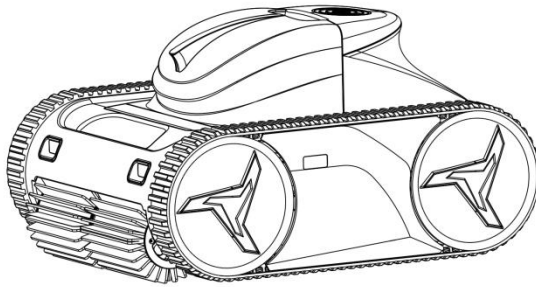
Inhoudsopgave

HOOFDSTUK 1. PRODUCTOVERZICHT	1
1.1 Verpakkingsinhoud	1
1.2 Technische gegevens	2
1.3 Gebruiksklaar maken.....	3
HOOFDSTUK 2. WERKING	4
2.1 Overzicht bedieningspaneel.....	5
2.2 Bediening via het robotscherm.....	6
2.3 Reinigen van de filterkorf	7
2.4 Opladen van de robot	7
2.5 Koppelen met wifi	8
HOOFDSTUK 3. ONDERHOUD	9
3.1 Filteronderhoud	9
3.2 Onderhoud van de waaier.....	9
3.3 Vervangen van versleten borstels	11
3.4 Vervangen van versleten rupsbanden	12
HOOFDSTUK 4. PROBLEEMOPLOSSING.....	13

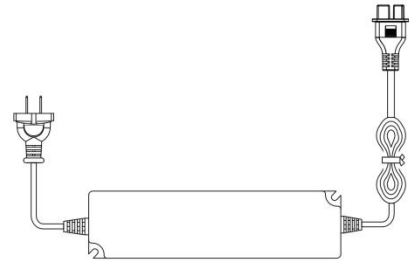
Hoofdstuk 1. PRODUCTOVERZICHT

1.1 Verpakkingsinhoud

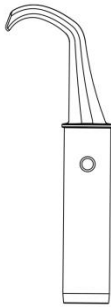
In de verpakking van de robot zijn de volgende items bijgeleverd. Neem contact op met uw dealer als er iets ontbreekt of beschadigd is.



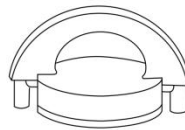
①



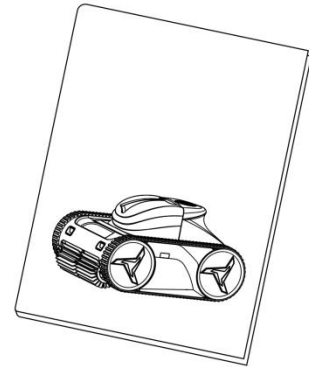
②



③



④



⑤

① Robot ② Oplader ③ Haak ④ Magneetkap*2 ⑤ Gebruiksaanwijzing

Opmerking:

1. Verwijder de magneetkap ④ om de robot te gebruiken of op te laden. Plaats de magneetkap terug op de onderkant van de robot om de accu te beschermen als u de robot langer dan 14 dagen niet gebruikt.
2. Als de robot niet werkt, plaats dan de magneetkap ④ gedurende 2 seconden terug. Neem vervolgens de magneetkap ④ weg en start de robot opnieuw.

1.2 Technische gegevens

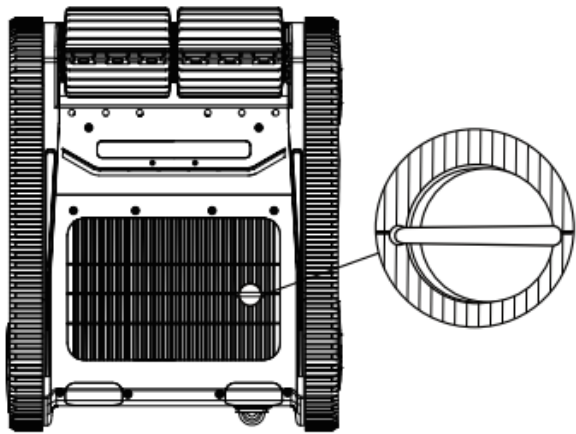
Model	M80	M60	M45	M30
Richtwaarde duurvermogen*: Bodemreinigungsmodus				
Duurvermogenstijd	8,0 uur	6,0 uur	4,5 uur	3,0 uur
Richtwaarde duurvermogen*: Bodem-, wand- en waterlijnreiniging				
Duurvermogenstijd	4,5 uur	3,5 uur	2,5 uur	2,0 uur
Oplaadtijd	8,0 uur	6,0 uur	4,5 uur	3,0 uur
Accu	14,0Ah (352 Wh)	10,4 Ah (262 Wh)	7,8 Ah (196 Wh)	5,2 Ah (131 Wh)
Optimale temperatuur zwembadwater	4-35°C			
Reinigingsmodus	Alleen bodem; bodem / wand / waterlijn			
Optie voor meerdere cycli	0,5 uur / 1,0 uur / 2,0 uur / volledige werkcyclus			
AI-gestuurde timer	Reinigen om de 24 uur / 48 uur / 72 uur			
App	Ja			
Filtercapaciteit	3,2 l			
Filtratienauwkeurigheid	100 µm			
Pompdebiet	22-15 (m³/h)	20-15 (m³/h)		
Vermogen in bedrijf	30-110 W			
Bewegingssnelheid	12 m/min.			
Aantal motoren	3			
Ingangsvermogen oplader	100-240 VAC ~ 50/60 Hz			
Voltage / amperage in bedrijf	25,2V / 1,2 A			
Vermogen oplader	72,5 W			
Netto- / brutogewicht robot	12,0 / 17 kg	12,0 / 17,0kg	11,5 / 16,5 kg	11,5 / 16,5 kg
Robotafmetingen (l x b x h)	495 x 395 x 265 mm			
Verpakkingsafmetingen (l x b x h)	580 x 448 x 330 mm			

* Richtwaarde De hierboven vermelde bedrijfstijd is gebaseerd op een bodemreinigungszyclus van telkens 2 uur in een linerzwembad.

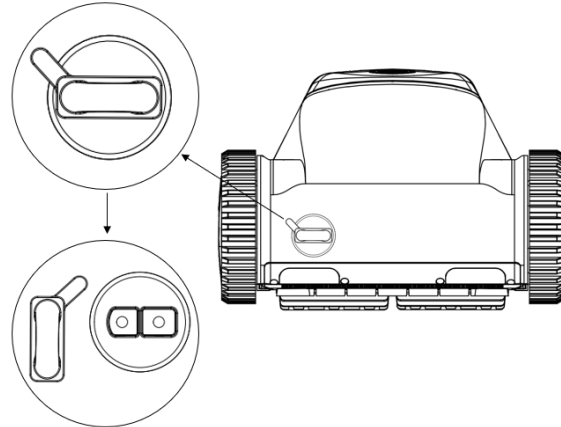
Opmerking: De fabrikant behoudt zich het recht voor deze gegevens zonder voorafgaande kennisgeving te wijzigen.

1.3 Gebruiksklaar maken

① Verwijder de magneetkap van de onderkant van de robot en berg die goed op.



② Verwijder de sluitdop van de stekker. Zet de sluitdop van de stekker terug zodra de accu volledig opgeladen is.

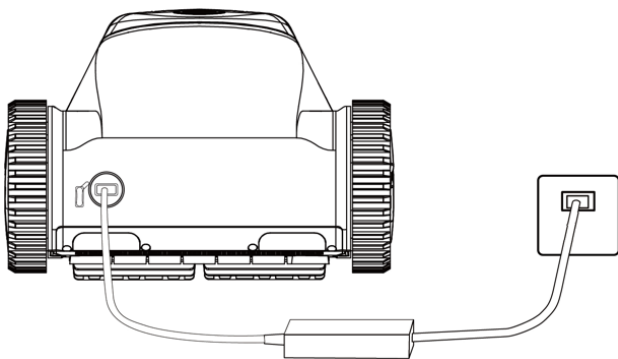


③ Sluit de robot met de bijgeleverde oplader aan op de netvoeding (100-240 V).

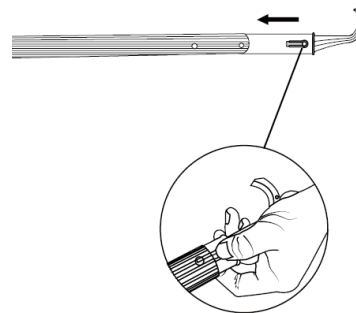
Accu met 3 groene balkjes: acculading = 100%

Laad de robot volledig op vóór het eerste gebruik.

*Aanbevolen oplaadtemperatuur: 6 tot 35°C.



④ Installeer de bijgeleverde haak op de stang (stang niet bijgeleverd).



Hoofdstuk 2. WERKING

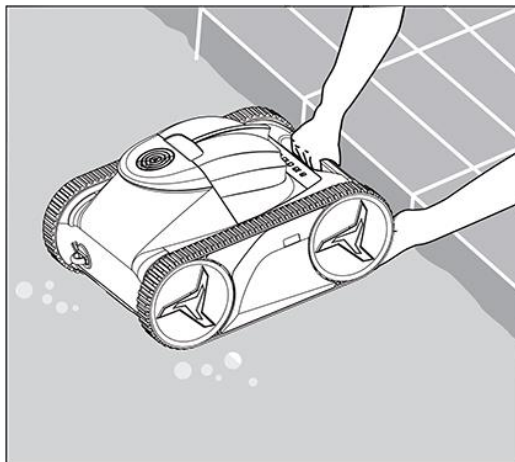
⚠ VOORZICHTIG

Volg deze richtlijnen om letsels of schade aan de robot te voorkomen:

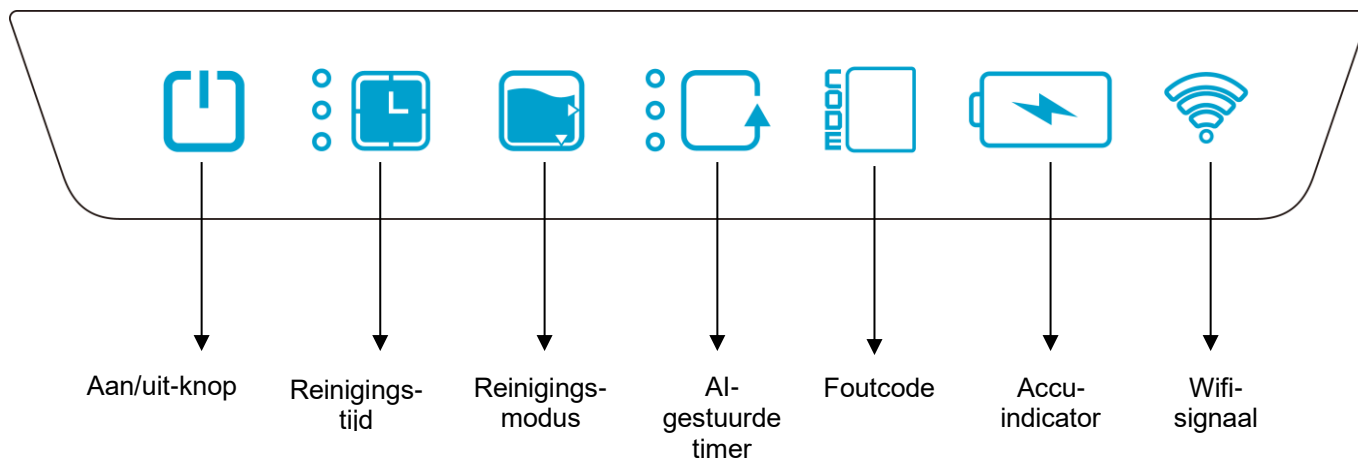
- Plaats de robot na het reinigen op een koele, droge plaats uit de buurt van direct zonlicht.
- Ga voorzichtig te werk wanneer u de robot uit het zwembad haalt en laat het water eruit weglopen voordat u hem optilt.






BELANGRIJK



- Laat de robot binnen 3 minuten na het instellen in het water zakken, anders schakelt hij automatisch in slaapstand.
- Reinig de filterkorf na elke reinigingscyclus. Reinig het oppervlak van de filterbak niet rechtstreeks met uw handen.
- De robot heeft een veiligheidsfunctie die hem automatisch stopt als hij niet in een zwembad met water wordt geplaatst.
- Draai de robot in alle richtingen om lucht uit de robot te laten ontsnappen voordat hij in het water gaat. Zie de onderstaande afbeelding.







2.1 Overzicht bedieningspaneel




Toets	Pictogram	Weergavestatus	Beschrijving
Hoofdschakelaar		Knippert groen	Status instelprocedure
		Brandt groen	Bedrijfsstatus / inspectiestatus onder water
Reinigings-tijd		1 lampje brandt groen	Reinigings-tijd: 0,5 uur
		2 lampjes branden groen	Reinigings-tijd: 1,0 uur
		3 lampjes branden groen	Reinigings-tijd: 2,0 uur
		Alle lampjes uit	Reinigen tot accu bijna leeg is
Reinigingsmodus		Driehoekig lampje onderaan brandt groen	Bodemreinigingsmodus
		Beide driehoekige lampjes branden groen	Algemene reinigingsmodus (bodem, wand en waterlijn)
AI-gestuurde timer		1 lampje brandt groen	Reinigen om de 24 uur
		2 lampjes branden groen	Reinigen om de 48 uur
		3 lampjes branden groen	Reinigen om de 72 uur
		Alle lampjes uit	AI-gestuurde timer niet nodig
Foutcode		1	Aandrijving links defect
		2	Aandrijving rechts defect
		3	Waterpomp defect
		4	Communicatiefout bedieningspaneel
		5	Infraroodsensor defect
		6	Watersensor defect




Acculampje (niet-oplaadstatus)		1 lampje brandt groen	Accu voor 20 tot 50% opgeladen
		2 lampjes branden groen	Accu voor 50 tot 75% opgeladen
		3 lampjes branden groen	Accu voor 75 tot 100% opgeladen
Accu bijna leeg		1 lampje knippert rood	Accu voor 15 tot 20% opgeladen
Acculampje (oplaadstatus)		1 lampje knippert groen	Accu voor 0 tot 50% opgeladen
		1 lampje brandt groen, 1 lampje knippert groen	Accu voor 50 tot 75% opgeladen
		2 lampjes branden groen, 1 lampje knippert groen	Accu voor 75 tot 100% opgeladen
	3 lampjes branden groen	Accu voor 100%	
Wifi-sigitaal		Knippert groen	Verbinding maken met netwerk
		Lampje brandt groen	Verbonden met netwerk
		Lampje knippert rood	Verbinding maken mislukt

2.2 Bediening via het robotscherm

- 3 seconden ingedrukt houden om de robot in te schakelen. Als  knippert, kunt u de robot instellen. 
Druk na het instellen nogmaals op  om te bevestigen. Zet de robot in het water zodra u klaar bent. De robot begint automatisch te reinigen zodra hij de bodem raakt. Als de robot 3 minuten nadat  begint te knipperen niet wordt bediend, stopt de robot en schakelt hij in slaapstand.

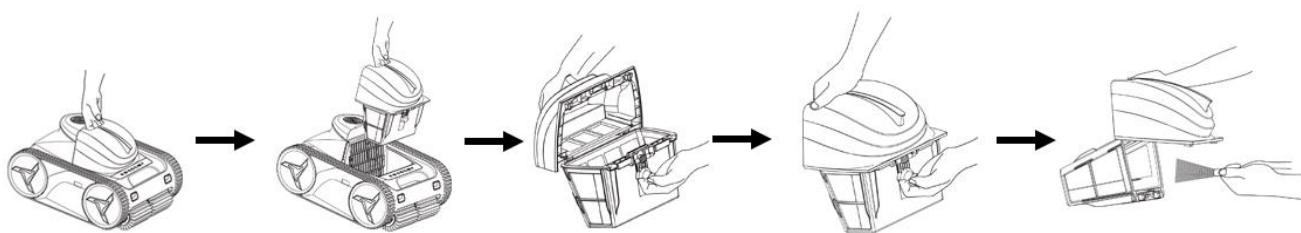
*Opmerking: Bij het instellen van de AI-gestuurde timer zijn twee scenario's mogelijk: 

(Neem bv. de instelling "Reinigen om de 24 uur" in de AI-gestuurde timer)

- Druk eenmaal op  en zet de robot in het water. De robot start onmiddellijk. Na één reinigingscyclus schakelt de robot in slaapstand. Na 24 uur wordt de robot automatisch uit de slaapstand gehaald.
 - Houd  3 seconden ingedrukt en zet de robot dan in het water. De robot schakelt in slaapstand. Na 24 uur wordt de robot automatisch uit de slaapstand gehaald en begint hij het zwembad te reinigen.
- Als de accu tijdens de reinigingscyclus voor minder dan 15% opgeladen is, blijft  rood knipperen terwijl de robot zich opstelt aan de rand van het zwembad. Na 5 minuten schakelt hij in slaapstand.

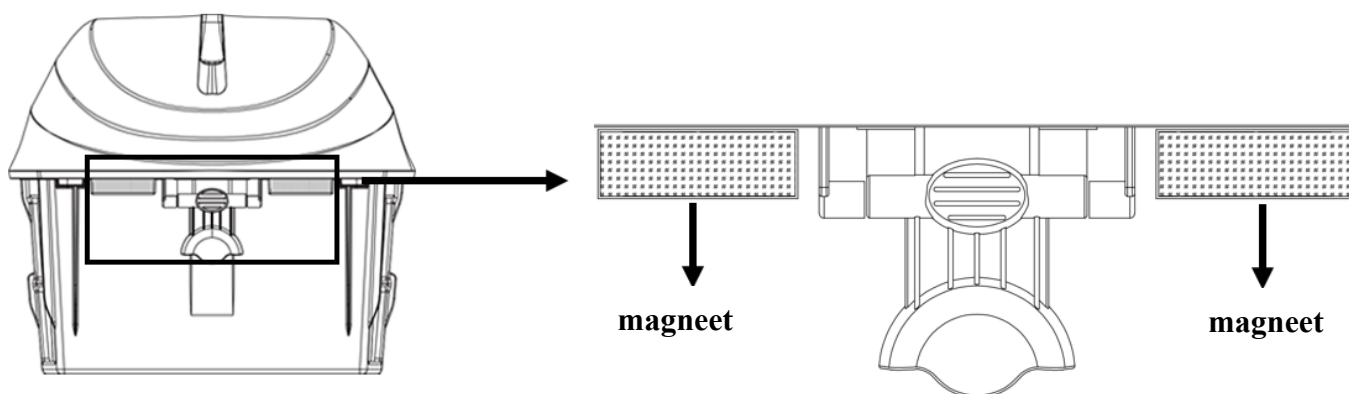
2.3 Reinigen van de filterkorf

Na een reinigingscyclus stelt de robot zich automatisch op aan de rand van het zwembad. Gebruik de haak om de handgreep vast te pakken en til de robot uit het water. Laat het water uit de robot weglopen en maak de filterkorf schoon zoals hieronder afgebeeld:

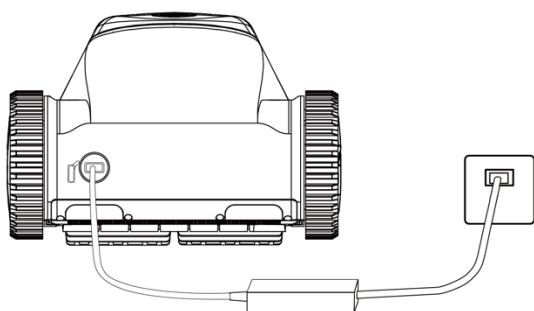


Opmerking:

Draag rubberen handschoenen bij het reinigen van de filterkorf om letsel te voorkomen.



2.4 Opladen van de robot



1. Steek de netadapter in het stopcontact en controleer of het controlelampje groen is.
2. Open de sluitdop van de stekker op de robot om de netadapter aan te sluiten.
3. Als de drie balkjes van het lampje groen branden, is de accu volledig opgeladen.
4. Controleer vóór het opladen of de oplaadaansluiting droog is.



5. Koppel de oplader na het opladen los om de accu te beschermen.
6. Sluit de oplaadstekker aan voordat de robot wordt gebruikt.
7. Als u de robot langdurig opslaat, moet u de accu minstens om de drie maanden volledig opladen om die te beschermen.


Opmerking: Gebruik ALLEEN de originele bijgeleverde netadapter.

2.5 Koppelen met wifi

*Let op!

1. Schakel bluetooth en wifi in voordat u verbinding maakt met de app.
2. Zorg ervoor dat het aangesloten wifi-netwerk een frequentie van 2,4 GHz heeft en dat het wifi-signaal voldoende sterk is.
3. Geef de app toegang tot bluetooth.
4. Controleer of  knippert terwijl verbinding met de app wordt gemaakt.

Houd  3 seconden ingedrukt. De robot geeft daarna een pieptoon en schakelt in koppelingsmodus.  begint te knipperen.

Start de app "AI-BOT" om de robot te zoeken en met uw netwerk te koppelen. Zodra de robot gekoppeld is, geeft hij drie pieptonen.  gaat groen branden als de robot met het netwerk verbonden is.

Met de app kunt u de robot instellen via wifi of bluetooth.

Als de robot zich in het zwembad bevindt, kunt u hem niet met de app instellen. (De reden hiervoor is dat de overdracht van radiosignalen in water fysiek beperkt is).

Opmerking: Download de app "AI-BOT" in iOS App Store / Google Play Store.



Hoofdstuk 3. ONDERHOUD

⚠ WAARSCHUWING

1. Om elk risico op elektrische schokken te voorkomen en ook andere gevaren uit te sluiten die kunnen leiden tot ernstig letsel, moet u de netadapter loskoppelen van de stroombron voordat u reinigings- en onderhoudswerkzaamheden uitvoert.
2. Plaats vóór elk onderhoud de magneetkap terug om letsel door een draaiende waaier te voorkomen.

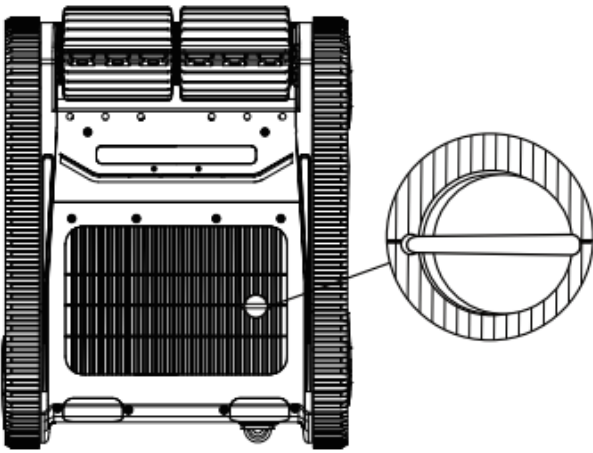
3.1 Filteronderhoud

1. Maak de filter regelmatig grondig schoon voor betere reinigings- en klimprestaties. Als u dat niet doet, kunnen de reinigings- en klimprestaties afnemen door een volle filterkorf of verstopte filter.
2. Maak de verstopte filter jaarlijks schoon met zachtzuur reinigingsmiddel. Draag tijdens het reinigen geschikte beschermingsmiddelen.

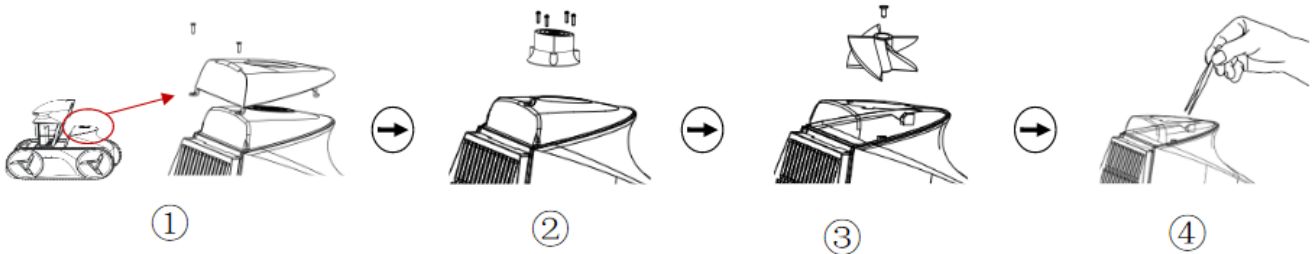
3.2 Onderhoud van de waaier

Als u een verminderde zuigkracht of klimprestatie vaststelt, voer dan een visuele inspectie van de robot uit om na te gaan of er haar of ander vuil vastzit op de waaier of de waaieras en verwijder dit.

***Vóór elk onderhoud van de waaier MOET u de magneetkap terugplaatsen.**



Ga als volgt te werk:

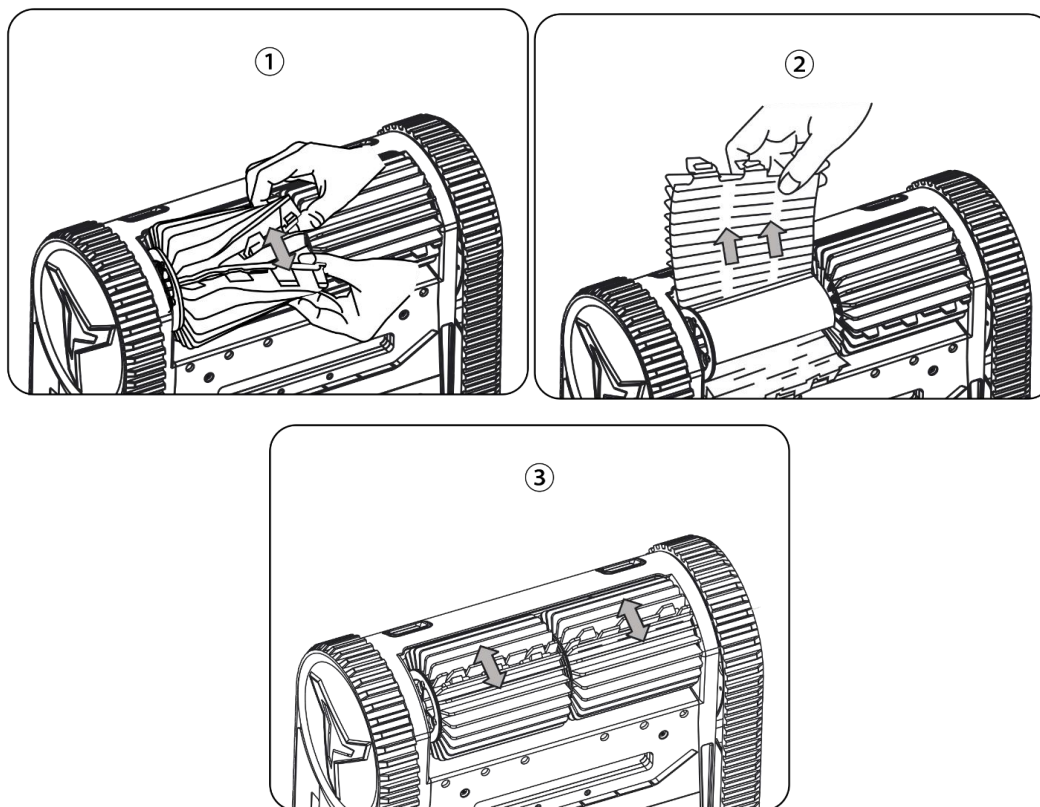


- ① Neem de filterbak uit, verwijder de bevestigingsschroeven van het deksel van de instroomring en neem het deksel weg.
- ② Verwijder de bevestigingsschroeven van de deflector en neem de deflector weg.
- ③ Verwijder de waaierschroef en neem de waaier weg. Opmerking: Draag handschoenen bij het wegnemen van de waaier om letsel door scherpe randen te voorkomen.
- ④ Verwijder vuil van de waaier en monteer alle bovengenoemde onderdelen weer in de juiste volgorde.

Opmerking: Als u problemen ondervindt met het onderhoud van de waaier, neem dan contact op met de dealer voor assistentie.

3.3 Vervangen van versleten borstels

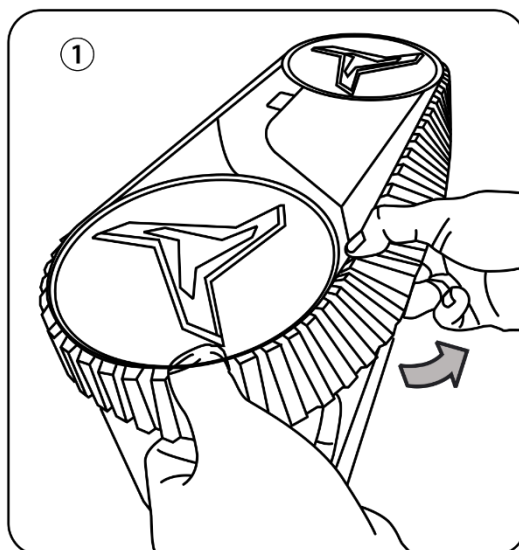
Verwijder de versleten borstels en plaats de nieuwe borstels als volgt:



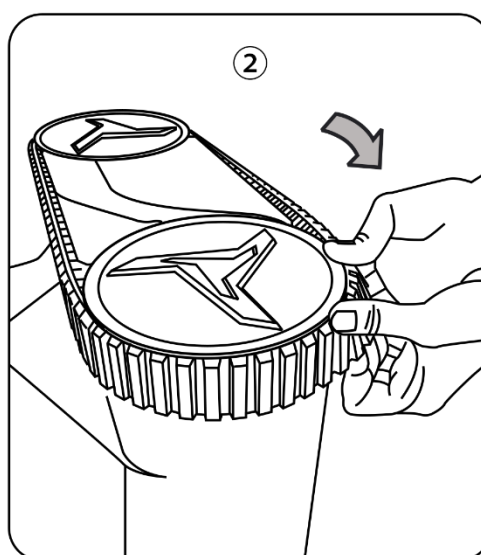
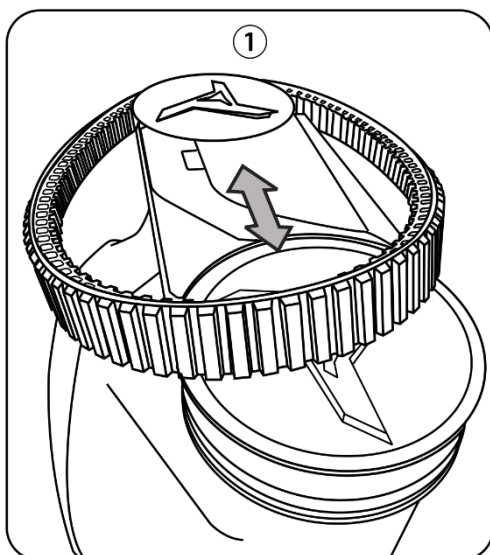
- ① Trek de lipjes uit de gaten en verwijder de borstels.
- ② Plaats de kant zonder lipjes onder de borstelhouder.
- ③ Rol de borstel om zijn steun, schuif de lipjes in de bevestigingsgaten en trek aan het uiteinde van elk lipje tot de rand door de gleuf gaat.

3.4 Vervangen van versleten rupsbanden

Verwijder de versleten rupsbanden als volgt:



Plaats de nieuwe rupsbanden als volgt:





Hoofdstuk 4. PROBLEEMOPLOSSING

Probleem	Mogelijke oorzaak	Oplossing
Opladen mislukt	Vuil op de elektrode van de oplaadkop (geen defect)	Verwijder het vuil
	De onderste magneetkap is niet verwijderd (geen defect)	Verwijder de magneetkap
	De oplaadset is beschadigd	Vervang de oplaadset
Storing bij inschakelen	De magneetkap is niet verwijderd (geen defect)	Verwijder de magneetkap
	Watervlekken op het robotscherm of bediening met natte handen (geen defect)	Maak het scherm en uw handen droog en probeer het opnieuw
	Bedieningsfout (geen defect)	Houd de aan/uit-knop 3 seconden ingedrukt
	Geen accuspanning (geen defect)	Laad de robot volledig op
Robot werkt niet (beweegt niet, zuigt geen vuil op)	Accu bijna leeg (geen defect)	Laad de robot volledig op
	Robot buiten water (geen defect)	Controleer of de robot onder water is en of de controlelampjes branden
	Aan/uit-knop niet ingedrukt na het voltooien van instellingen (geen defect)	Druk op de aan/uit-knop na het instellen van de robot en zorg ervoor dat de controlelampjes branden voordat u de robot in het water plaatst
	Filterkorf vol (geen defect)	Maak de filterkorf leeg
Robot beweegt maar zuigt geen vuil op	De waaier zit vast	Mogelijk zit er te veel vuil in de geleidering, waardoor de waaier niet kan draaien. (Plaats vóór gebruik de magneetkap terug om letsel door een draaiende waaier te voorkomen)
	Filterkorf vol (geen defect)	Maak de filterkorf leeg
	Watertoevoer verstopt (geen defect)	Verwijder de filterkorf en maak de waterinlaat schoon
	Accu bijna leeg (geen defect)	Laad de robot volledig op
Robot zuigt vuil	De aandrijfmotor is vastgelopen	Neem voor vervanging contact op met de dealer

op maar beweegt niet	De rupsband is van de geleider geschoven en zit vast (geen defect)	Keer de robot om en rol de rupsband naar voren en naar achteren totdat die weer op de geleider komt te zitten
	Rupsband beschadigd	Vervang de rupsband
	Schrobber loopt vast (geen defect)	Maak de schrobber schoon
	De robot is gestopt door een obstakel en wordt automatisch uitgeschakeld om hem te beschermen (geen defect)	Verwijder het obstakel en start de robot opnieuw
	Filterkorf vol (geen defect)	Maak de filterkorf leeg
De robot beklimt de wanden niet	De bodemreinigingsmodus is actief (geen defect)	Schakel de robot in algemene reinigingsmodus
	De waaier zit vast	Mogelijk zit er te veel vuil in de geleidering, waardoor de waaier niet kan draaien. (Plaats vóór gebruik de magneetkap terug om ietsel door een draaiende waaier te voorkomen)
	Filterkorf vol (geen defect)	Maak de filterkorf leeg
	Waterinlaat verstopt (geen defect)	Verwijder de filterkorf en maak de waterinlaat schoon
De robot reinigt niet goed	Accu bijna leeg (geen defect)	Laad de robot volledig op
	De waaier zit vast	Verwijder vuil of haren uit de geleidering
	Filterkorf vol (geen defect)	Maak de filterkorf leeg
	Waterinlaat verstopt (geen defect)	Verwijder de filterkorf en maak de waterinlaat schoon
	Schrobber beschadigd	Vervang de schrobber
	Filterkorf beschadigd	Vervang de filterkorf
Ongebruikelijke non-stopwerking	Softwarefout	Plaats de magneetkap 5 seconden terug, verwijder hem en start de robot opnieuw
Foutcode	<ol style="list-style-type: none"> 1. Aandrijving links defect 2. Aandrijving rechts defect 3. Waterpomp defect 4. Communicatiefout 	Start de robot opnieuw terwijl de magneetkap geplaatst is om na te gaan of de code verdwijnt; als dat niet het geval is, neem dan contact op met de dealer

	bedieningspaneel	
	5. Infraroodsensor defect	
	6. Watersensor defect	

Opmerking:

1. Gebruik de robot niet als er mensen of dieren in het zwembad zijn.
2. De oplader **MOET WORDEN LOSGEKOPPELD** vóór elk onderhoud aan de robot.
3. Neem contact op met de dealer als u problemen ondervindt die niet in de probleemoplossingsgids staan.
4. Wanneer een storing optreedt of de accu voor minder dan 15% opgeladen is, stopt de robot doorgaans aan de rand van het zwembad.
5. Als er een fout optreedt, start de robot dan opnieuw door de magneetkap aan de onderkant van de robot terug te plaatsen.
6. Als de robot niet goed functioneert, verschijnt de foutcode op het bedieningspaneel (zie 2.1) en knippert de  aan/uit-knop op het bedieningspaneel rood. Druk op de  aan/uit-knop om de foutmelding te wissen. Als de fout zich blijft voordoen, raadpleeg dan de probleemoplossingsgids.

Voor gebruik binnenshuis



Alleen voor gebruik binnenshuis met elektrische voeding.

Recycling



De robot heeft een lithium-ion-accu die gerecycleerd moet worden door een erkend recyclagebedrijf.

Door accu's en producten met accu's te recycleren, draagt u zorg voor het milieu en de volksgezondheid.



Haal de accu NIET uit elkaar en gooi deze NIET weg met het huishoudelijk afval of in een gewone vuilnisbak.

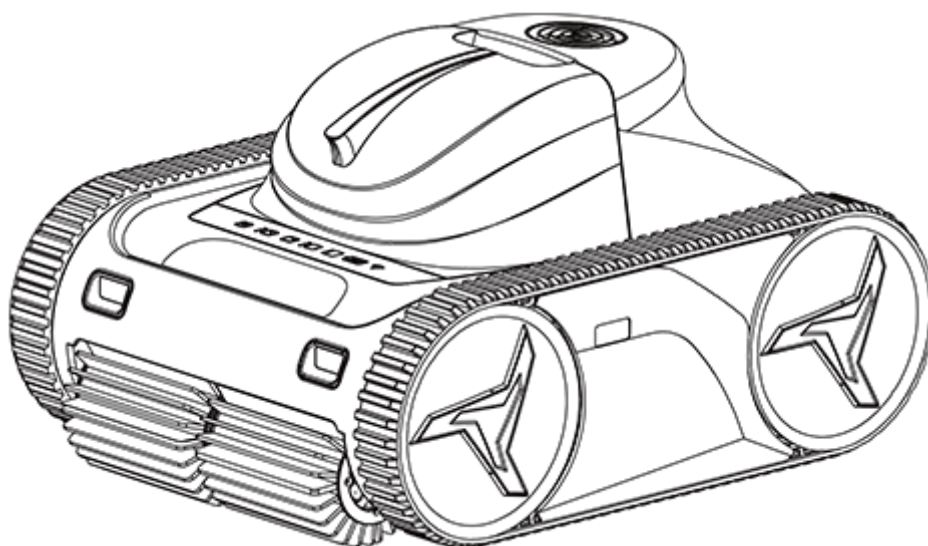
Uitsluitingen van garantie

De garantie vervalt in de volgende gevallen:

- Onjuiste bediening van de robot door niet-naleving van de juiste instructies.
- Schade veroorzaakt aan de robot door verkeerd gebruik of anders dan door een fabricagefout.

- Onderhoud of reparatie van de zwembadreinigingsrobot door een niet-erkende dealer of servicemonteur.
- Beschadiging van de accuverzegeling door een niet-erkende servicemonteur.
- Overbelasting van de accu door gebruik van een niet-goedgekeurde stroomadapter.
- Bedieningsstoring veroorzaakt door gebruik van niet-erkende accessoires.

ROBOT NETTOYEUR DE PISCINE IA-SANS FIL MANUEL DE L'UTILISATEUR



M30/45/60/80

MERCI DE L'ACHAT

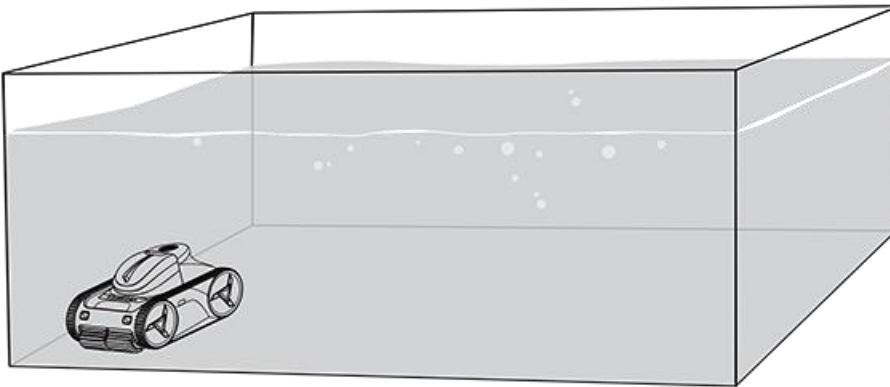
DU ROBOT NETTOYEUR DE PISCINE X30/45/60/80 IA-SANS FIL

Prenez le temps de lire attentivement ce manuel avant d'installer
ou d'utiliser votre appareil et conservez-le pour toute consultation ultérieure.

★★ CONSEILS ★★

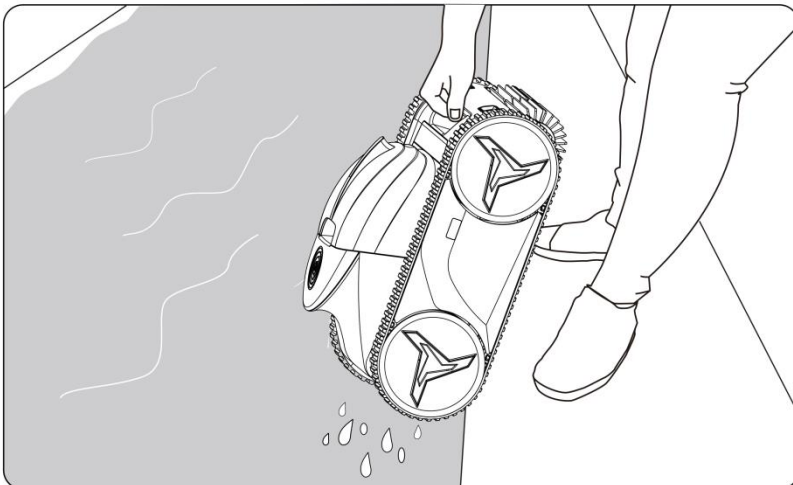
Comment obtenir le nettoyage le plus efficace

Placez le robot dans un coin de la piscine pour couvrir rapidement toute la surface du bassin.

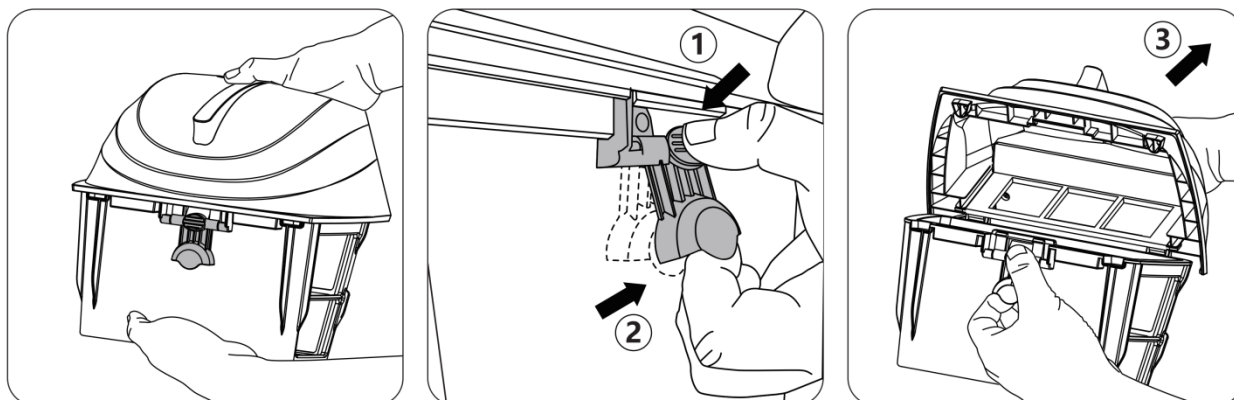


Comment vidanger l'eau du robot

Placez le robot sur le bord de la piscine pendant un certain temps et laissez l'eau s'écouler.

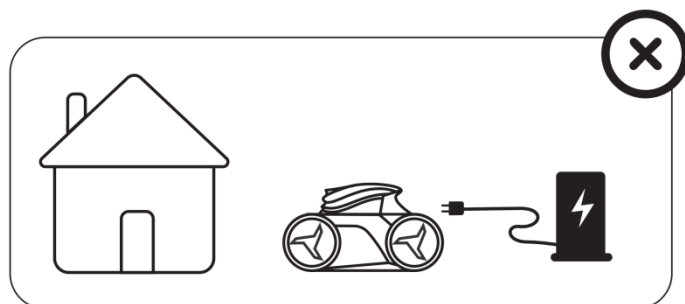


Comment ouvrir le boîtier du filtre

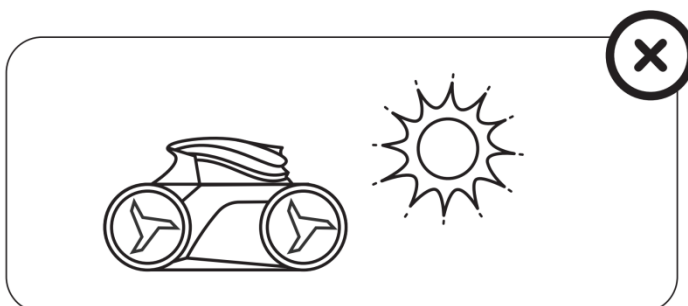


! Afin de protéger la batterie, rechargez entièrement le robot tous les trois mois et remettez en place le capuchon magnétique si le robot n'est pas utilisé pendant plus de 14 jours.

! Ne chargez pas le robot à l'extérieur.



! Ne laissez pas le robot exposé longtemps au soleil.



AVERTISSEMENTS

Cette page contient des informations qui vous aideront à utiliser le robot en toute sécurité et à éviter tous risques et dommages à l'appareil ou à d'autres biens.

AVERTISSEMENTS GÉNÉRAUX

- Lisez les instructions avant de faire fonctionner le robot.
- Ce robot est conçu pour le nettoyage des piscines. Ne l'utilisez pas pour d'autres usages.
- Conservez le robot hors de portée des enfants ou des personnes dont les capacités physiques, sensorielles ou mentales sont diminuées, sans surveillance ou sans formation.
- Le robot doit être installé, utilisé et entretenu comme indiqué dans ce manuel.
- Le robot doit être installé conformément aux prescriptions du fabricant et aux exigences des normes d'installation locales ou nationales applicables. Le fabricant ne pourra être tenu responsable pour tout dommage dû au non-respect des consignes d'installation, d'utilisation ou d'entretien.
- L'installation ou l'utilisation incorrecte du robot peut entraîner de graves dommages matériels ou corporels.
- N'entrez jamais dans la piscine lorsque le robot se trouve dans l'eau.

AVERTISSEMENTS CONCERNANT L'UTILISATION

- Pour recharger la batterie, utilisez uniquement le bloc d'alimentation détachable fourni avec le robot. Il est conseillé de faire fonctionner le bloc d'alimentation à au moins 3,5 mètres du bord de la piscine.
- Débranchez le robot de l'alimentation électrique et remettez le capuchon magnétique en place avant d'effectuer toute opération d'entretien de l'appareil.
- Ne pas utiliser le robot avec les mains mouillées afin d'éviter toute perte de sensibilité au niveau des doigts.
- N'essayez pas de réparer le robot par vous-même ou d'ouvrir le boîtier du moteur en cas de dysfonctionnement. Veuillez contacter votre revendeur.
- En cas de dysfonctionnement ou si une odeur se dégage du robot pendant la charge, débranchez-le immédiatement de l'alimentation électrique et contactez votre revendeur.
- Pour l'entretien et les réparations, utilisez uniquement les pièces de rechange d'origine fournies par le fabricant.

CONDITIONS GÉNÉRALES DE FONCTIONNEMENT

Profondeur de l'eau (m)	Température de l'eau (°C)	PH	Sel (PPM)	Chlore (PPM)
1-2,5	4-35	7,0-7,8	5000 MAX	4 MAX

Note : En cas de température de l'eau inférieure à 15°C, le temps de performance peut être affecté.

- Le robot est recommandé pour un usage dans des piscines privées.
- Afin de protéger le moteur, le robot s'arrêtera automatiquement si la profondeur de l'eau est inférieure à 40 centimètres.
- En mode fond de piscine, le robot ne grimpera pas sur la paroi si la pente est supérieure à 30°.
- N'utilisez pas le robot lors d'une chloration choc.
- N'utilisez pas le robot en cas d'orage ou de tempête.
- N'exposez pas le robot à la pluie directe ou au soleil pendant une période prolongée.

PRÉCAUTIONS

- Tenez le robot au-dessus du bord de la piscine pour laisser l'eau s'écouler avant de le retirer de la piscine. Procédez lentement pour éviter de vous faire mal au dos.
- Nettoyez le panier du filtre après chaque cycle de nettoyage.
- Ne soulevez pas le robot hors de l'eau à l'aide d'un rail.

RAPPEL

- Si la charge de la batterie du robot est inférieure à 30 %, l'appareil ne nettoiera que le fond de la piscine.
- Rangement de votre robot :
 - a. Assurez-vous que le robot soit complètement sec avant de le ranger pour éviter la dégradation ou l'endommagement des moteurs ou de la structure interne de l'appareil.
 - b. Le panier du filtre doit être nettoyé soigneusement après utilisation. Ne laissez pas sécher des saletés ou des débris dans le panier du filtre.
 - c. Le câble du chargeur doit être bien rangé, sans torsion, lorsqu'e l'appareil est stocké pour une longue période.
- La température de stockage optimale se situe entre -10° et 45°C et le taux d'humidité de stockage entre 30%-70%.

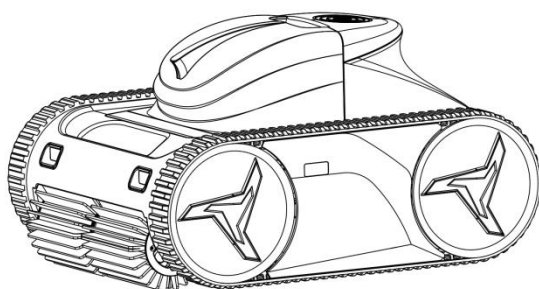
Table des matières

SECTION 1. PRESENTATION DES PRODUITS	1
1.1 Contenu de l'emballage	1
1.2 Caractéristiques techniques	2
1.3 Préparation.....	3
SECTION 2. FONCTIONNEMENT	4
2.1 Aperçu du panneau de contrôle	5
2.2 Fonctionnement depuis l'écran d'affichage de l'appareil	6
2.3 Nettoyage du panier du filtre	7
2.4 Chargement du robot.....	7
2.5 Fonctionnement en mode WIFI	8
SECTION 3. ENTRETIEN	9
3.1 Entretien du filtre	9
3.2 Entretien de la roue	9
3.3 Remplacement des brosses usées	11
3.4 Remplacement des chenilles usées	12
SECTION 4. DÉPANNAGE	13

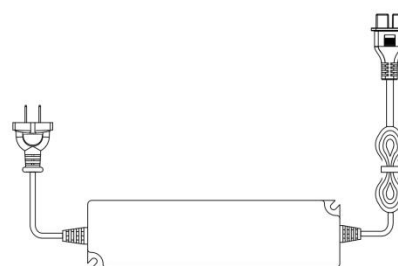
SECTION 1. PRÉSENTATION DES PRODUITS

1.1 Contenu de l'emballage

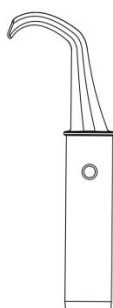
Les éléments suivants sont inclus dans l'emballage du robot. Veuillez contacter votre revendeur en cas de dommage ou de perte.



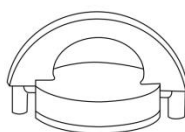
①



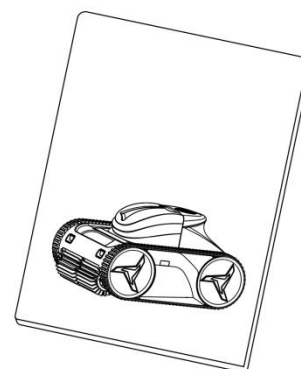
②



③



④



⑤

① Robot ② Chargeur ③ Crochet ④ Capuchon magnétique *2 ⑤ Manuel d'utilisation

Remarque :

1. Retirez le capuchon magnétique ④ lors de l'utilisation ou de la recharge. Remettez le capuchon magnétique au fond de la machine pour protéger la batterie si vous n'utilisez pas le robot pendant plus de 14 jours.
2. Si le robot s'arrête, insérez à nouveau le capuchon magnétique ④ pendant 2 secondes, retirez le capuchon magnétique ④ et redémarrez le robot.

1.2 Caractéristiques techniques

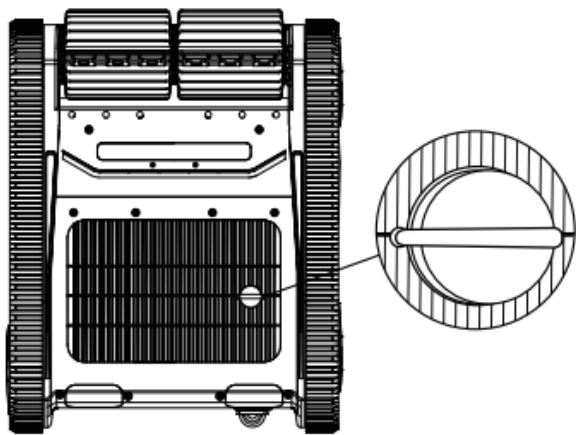
Modèle	M80	M60	M45	M30
Référence des conditions de performance* : Mode nettoyage plancher				
Temps de performance	8,0h	6,0h	4,5h	3,0h
Référence des conditions de performance* : Mode nettoyage sol/mur/ligne d'eau				
Temps de performance	4,5h	3,5h	2,5h	2,0h
Temps de charge	8h	6h	4.5h	3h
Batterie	14,0Ah (352wh)	10,4Ah (262wh)	7,8Ah (196wh)	5,2Ah (131wh)
Température optimale de la piscine	4~35°C			
Mode de nettoyage	Sol seulement ; sol/mur/ligne d'eau			
Option de cycles multiples	0,5h/1,0h/2,0h/Max			
Minuterie IA	Nettoyer toutes les 24h/48h/72h			
Application	OUI			
Capacité du filtre	3.2 L			
Précision de la filtration	100µm			
Débit de la pompe	22-15(m³/h)	20-15(m³/h)		
Puissance de fonctionnement	30-110W			
Vitesse de déplacement	12m/min			
Nombre de moteurs	3			
Entrée du chargeur	100-240V AC ~ 50/60Hz			
Tension/courant de fonctionnement	25,2V/1,2A			
Alimentation du chargeur	72,5W			
Robot NW/GW	12,0 / 17,0kg	12,0 / 17,0kg	11,5 / 16,5 kg	11,5 / 16,5 kg
Dimensions du robot (L*I*H)	495*395*265 mm			
Dimensions de l'emballage du robot (L*I*H)	580*448*330 mm			

* Référence : Le temps de travail ci-dessus est basé sur 2 heures de nettoyage à chaque fois en mode sol dans une piscine à liner.

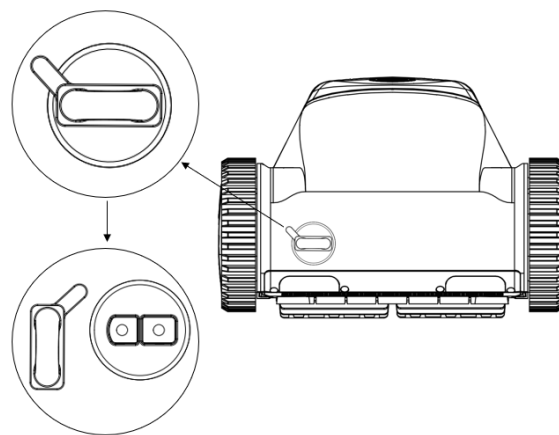
Note : Le fabricant se réserve le droit de modifier ces spécifications sans préavis.

1.3 Préparation

① Retirez le capuchon magnétique de la base du robot et rangez-le en lieu sûr.



② Retirez le couvercle de la prise. Lorsque la charge est complète, recouvrez à nouveau la prise.



③ Connectez-vous à l'alimentation électrique

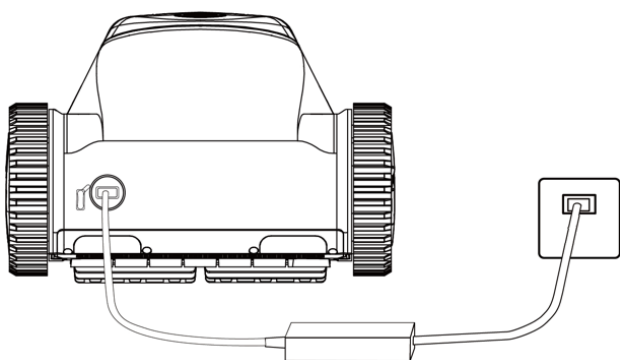
(100-240V) à l'aide du chargeur fourni.

Batterie 3 barres vertes allumées: Niveau de la batterie:

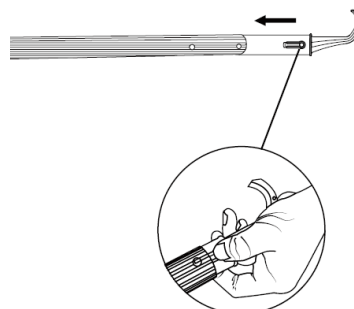
100%

Chargez complètement le robot avant la première utilisation.

*Température de charge conseillée : 6-35°C.



④ Installez le crochet configuré sur la tige (modèle exclusif).



SECTION 2. FONCTIONNEMENT

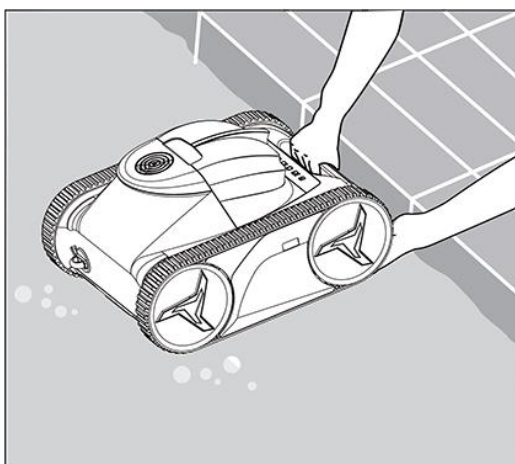
⚠ PRÉCAUTION

Pour éviter d'endommager le robot ou de blesser les personnes, veuillez à respecter les consignes suivantes:

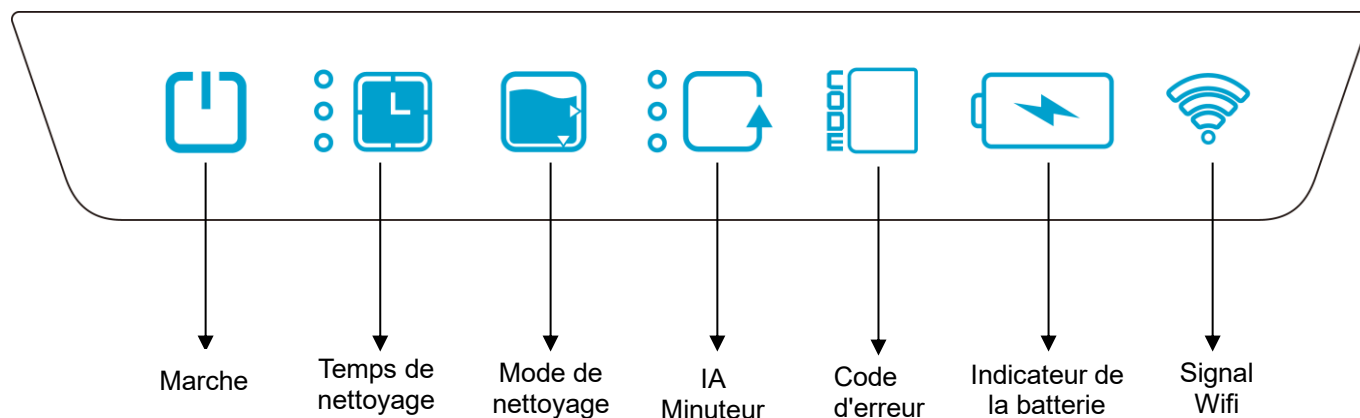
- Une fois le nettoyage terminé, placez le robot dans un endroit frais et sec, à l'abri du soleil direct.
- Faites attention lors du retrait du robot de la piscine. Laissez l'eau s'écouler du robot avant de le soulever.

IMPORTANT



- Une fois le robot prêt à fonctionner, plongez-le à l'eau dans les 3 minutes suivantes, sinon l'appareil se mettra en veille.
- Nettoyez le panier du filtre après le cycle de nettoyage. Évitez de nettoyer la surface du boîtier du filtre directement à mains nues.
- Le robot est doté d'un dispositif de sécurité qui l'arrête automatiquement s'il n'est pas utilisé dans une piscine remplie d'eau.
- Tournez le robot dans tous les sens pour libérer l'air emprisonné à l'intérieur de celui-ci avant de le plonger dans l'eau. Voir dessin ci-dessous.







2.1 Vue d'ensemble du panneau de contrôle




Type de bouton	Icône	État de l'affichage	Description
Interrupteur d'alimentation		Voyant vert clignotant	Statut de la configuration
		Voyant vert allumé	État de marche/état d'inspection sous l'eau
Temps de nettoyage		1 voyant vert allumé	Temps de nettoyage : 0,5H
		2 voyants verts allumés	Temps de nettoyage : 1.H
		3 voyants verts allumés	Temps de nettoyage : 2.H
		Tous voyants éteints	Nettoyage jusqu'à ce que la batterie soit faible
Mode nettoyage		Voyant vert triangulaire en bas étant allumé	Mode de nettoyage des sols
		Les deux feux verts triangulaires sont allumés	Mode de nettoyage global (Sol, mur, ligne d'eau)
Minuteur IA		1 voyant vert allumé	Nettoyage toutes les 24 heures
		2 voyants verts allumés	Nettoyage toutes les 48 heures
		3 voyants verts allumés	Nettoyage toutes les 72 heures
		Tous voyants éteints	Pas besoin de minuterie AI
Codes d'erreur		1	Défaillance du disque gauche
		2	Défaillance du disque droit
		3	Défaillance de la pompe à eau



		4	Défaut de communication du panneau de contrôle
		5	Défaillance du capteur infrarouge
		6	Défaillance du capteur d'eau
Voyant de la batterie (Hors mode chargement)		1 voyant vert allumé	Niveau de la batterie : 20-50%
		2 voyants verts allumés	Niveau de la batterie : 50-75%
		3 voyants verts allumés	Niveau de la batterie : 75-100%.
Batterie faible		1 lumière rouge clignote	Niveau de la batterie : 15-20%
Voyant de la batterie (en mode chargement)		1 voyant vert clignote	Niveau de la batterie : 0-50%
		1 voyant vert allumé, 1 voyant vert clignotant	Niveau de la batterie : 50-75%
		2 voyants verts allumés, 1 voyant vert clignotant	Niveau de la batterie : 75-100%.
		3 voyants verts allumés	Niveau de la batterie : 100 %
Signal Wifi		Le voyant vert clignote	Correspondance des réseaux
		Feu vert allumé	Réseau apparié
		Le voyant rouge clignote	Connexion défailante


2.2 Fonctionnement depuis l'écran d'affichage de l'appareil

- Maintenez la touche  enfoncée pendant 3 secondes pour activer le robot. Lorsque la touche  clignote, démarrez la configuration du robot. Après configuration, appuyez à nouveau sur la touche  pour confirmer. La configuration terminée, mettez le robot dans l'eau. Le robot commencera à nettoyer automatiquement lorsqu'il touchera le sol. Si aucune action n'est effectuée sur le robot dans les 3 minutes suivant le clignotement de la touche , le robot s'éteint et se met en veille.

*Note : Il y a deux résultats différents lors du réglage de la minuterie IA : 

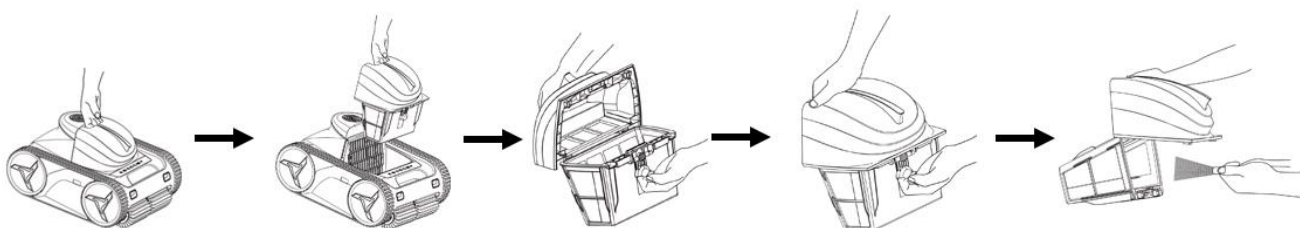
(Prenons l'exemple de l'option "Nettoyage toutes les 24 heures" dans AI Timer)

- Appuyez sur  une fois et mettez le robot dans l'eau. Le robot démarrera immédiatement. Après un cycle de nettoyage, le robot passera en mode veille puis redémarrera automatiquement après 24 heures.
- Appuyez sur  pendant 3 secondes, puis mettez le robot dans l'eau. Le robot passera en mode veille. Après 24 heures, le robot redémarrera automatiquement et commencera un cycle de nettoyage.

2. Si la charge de la batterie est inférieure à 15% pendant le cycle de nettoyage, la touche  clignotera en rouge en continu. Le robot se garera automatiquement sur le côté de la piscine et passera en veille au bout de 5 minutes.

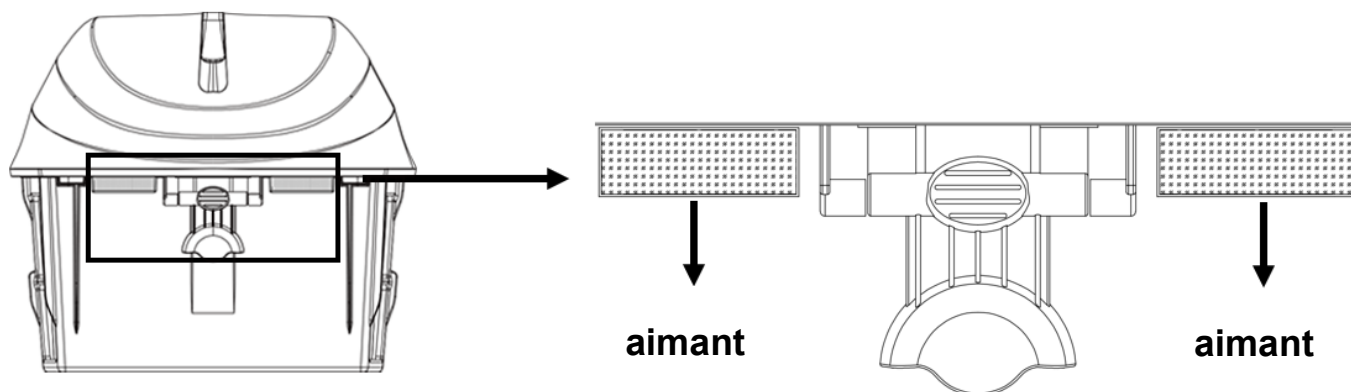
2.3 Nettoyage du panier du filtre

Après un cycle de nettoyage, le robot se garera automatiquement sur le côté de la piscine. Utilisez le crochet pour attraper la poignée et soulevez le robot hors de l'eau. Videz l'eau du robot et nettoyez le panier du filtre comme indiqué ci-dessous:

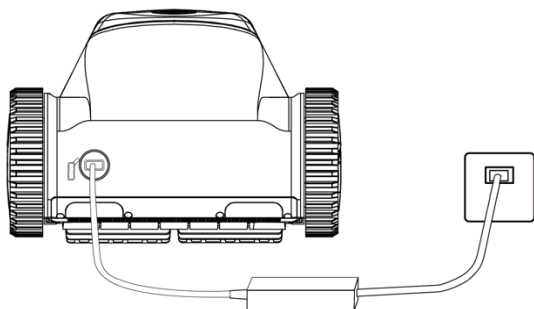


Précaution:

Pour éviter les blessures, portez des gants en caoutchouc lors du nettoyage du panier du filtre.



2.4 Mise en charge du robot




1. Branchez l'adaptateur sur l'alimentation électrique et assurez-vous que le témoin lumineux est vert.
2. Ouvrez le couvercle de la prise du robot pour brancher l'adaptateur.



3. Si les 3 barres vertes du voyant de la batterie sont allumées, le robot est complètement chargé.
4. Avant de charger l'appareil, assurez-vous que le port de charge est bien sec.
5. Débranchez le chargeur après la charge pour protéger la batterie.
6. Insérez la fiche de recharge avant utilisation du robot.
7. Si le robot doit être stocké pendant une longue période, veillez à le recharger entièrement au moins tous les trois mois pour protéger la batterie.


Important : Utilisez UNIQUEMENT l'adaptateur électrique d'origine fourni avec le robot.

2.5 Fonctionnement en mode WIFI

*Attention:

1. Activez le Bluetooth et le Wifi avant de connecter l'application.
2. Assurez-vous que le réseau Wifi connecté est de 2,4 GHz et que le signal est de bonne qualité.
3. Autorisez l'application à accéder au Bluetooth.
4. Assurez-vous que le voyant  clignote pendant que l'application se connecte.

Maintenez la touche enfoncée  pendant 3 secondes. Le robot émettra un bip, entrera en mode recherche de connexion  et commencera à clignoter,

Ouvrez l'application "AI-BOT" pour rechercher l'appareil et faire connecter le robot à votre réseau. Le robot émettra trois bips et le voyant  deviendra vert, une fois la connexion établie avec le réseau.

La configuration du robot peut s'effectuer avec l'application par Wifi ou Bluetooth.

La configuration du robot ne peut pas s'effectuer avec l'application si le robot se trouve dans la piscine (en raison de la limitation physique de la pénétration du signal radio dans l'eau).

Remarque : téléchargez l'application "AI-BOT" dans l'App Store iOS/ dans Google Play Store.



SECTION 3. ENTRETIEN

⚠ AVERTISSEMENT

1. Pour éviter tout risque d'électrocution et autres accidents pouvant entraîner des blessures graves, débranchez l'adaptateur de la source d'alimentation avant de procéder au nettoyage et à l'entretien du robot.
2. Avant toute opération d'entretien, remettez le capuchon magnétique en place afin d'éviter les blessures pouvant être causées par la rotation de la roue.

3.1 Entretien du filtre

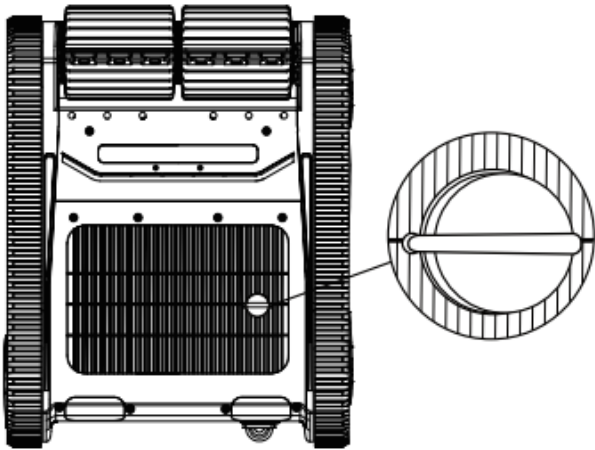
1. Nettoyez soigneusement et régulièrement le filtre pour améliorer les performances de nettoyage et d'escalade du robot. Dans le cas contraire, les performances de nettoyage et d'escalade peuvent être affectées lorsque le filtre est plein ou obstrué.
2. Une fois par an, nettoyez le filtre obstrué à l'aide d'un détergent acide doux. Veillez à porter des équipements de sécurité adaptés pendant ce processus.

3.2 Entretien de l'hélice

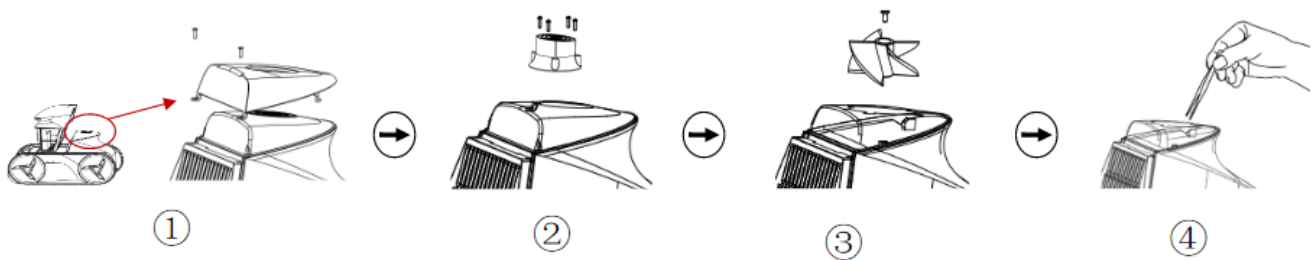
En cas de performances d'aspiration ou d'escalade réduites du robot, vérifiez visuellement si l'hélice ou l'arbre de

l'hélice est encombré de cheveux ou d'autres débris. Nettoyez les débris coincés dans l'hélice.

***Le capuchon magnétique DOIT IMPÉRATIVEMENT être remis en place avant tout entretien de l'hélice.**



Suivez les étapes ci-dessous :

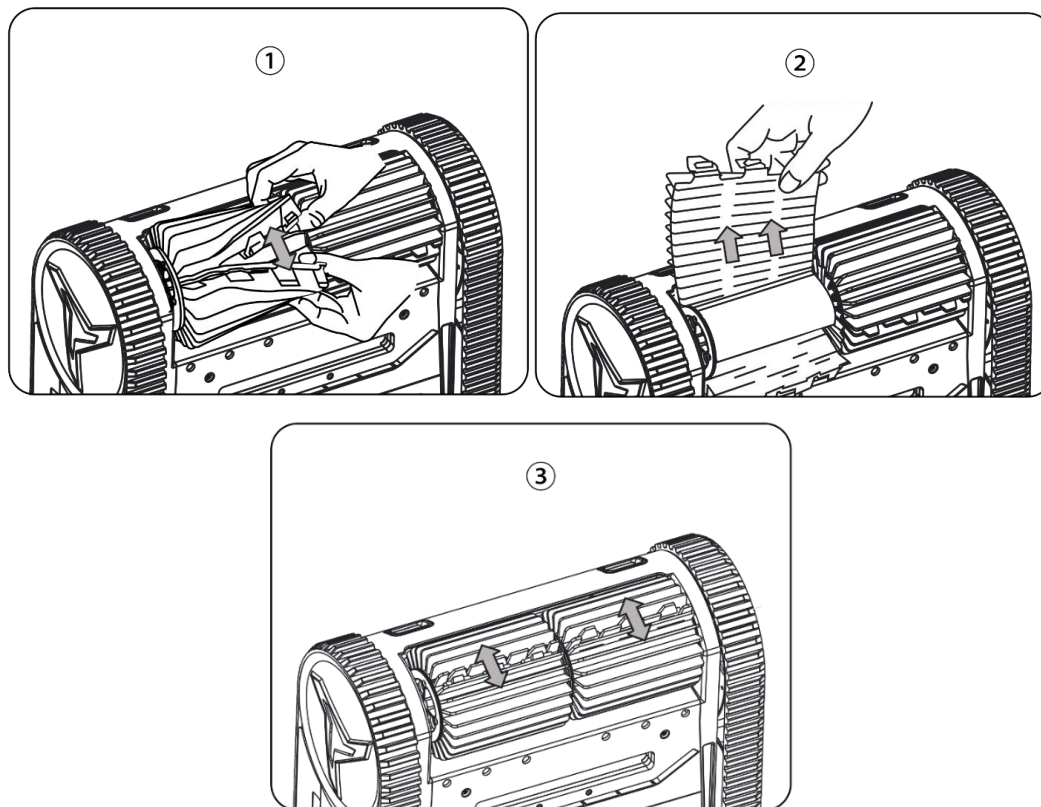


- ① Retirez le boîtier du filtre, retirez les vis de fixation du couvercle du guide de flux entrant et retirez le guide de flux entrant.
- ② Retirez les vis de fixation du déflecteur et retirez le déflecteur.
- ③ Retirez la vis de l'hélice et sortez l'hélice. Remarque : Portez des gants lors du retrait de l'hélice pour éviter de vous blesser sur les arêtes tranchantes.
- ④ Retirez les débris de l'hélice et remontez toutes les pièces mentionnées ci-dessus dans l'ordre.

Note : En cas de difficulté pour l'entretien de l'hélice, contactez votre revendeur pour assistance.

3.3 Remplacement des brosses usées

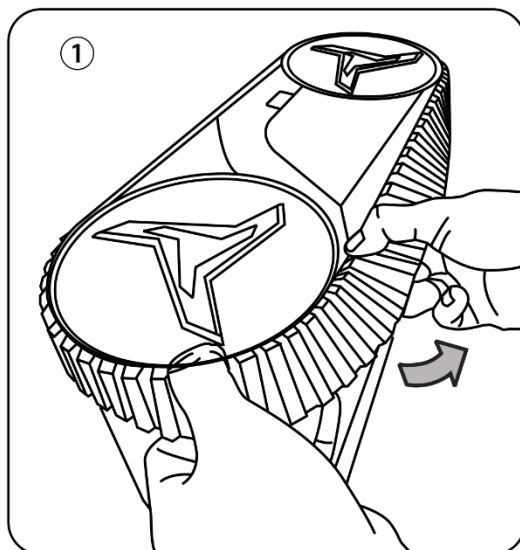
Retirez les brosses usées et mettez en place de nouvelles brosses:



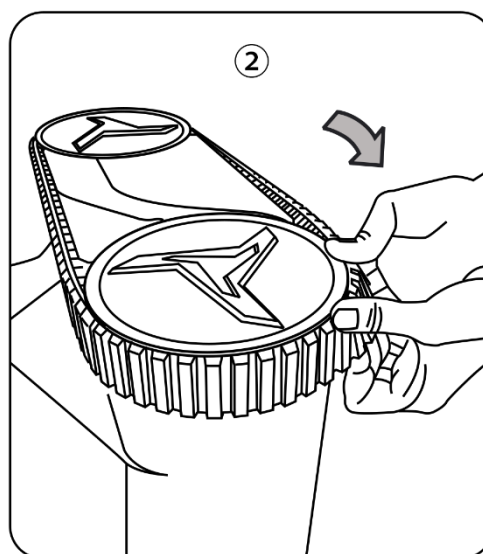
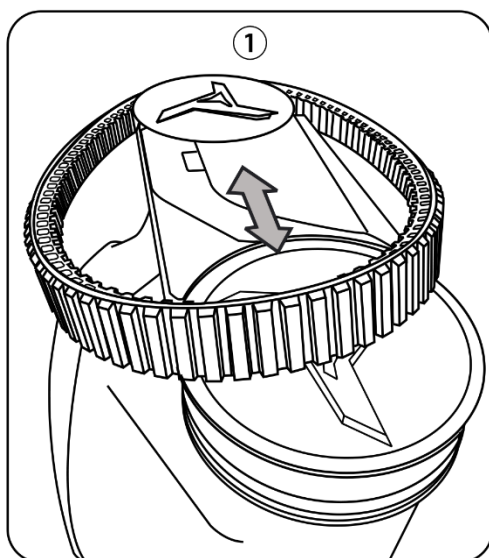
- ① Détachez les languettes des trous et retirez les brosses.
- ② Placez le côté sans languettes sous le porte-balai.
- ③ Enroulez la brosse autour de son support, glissez les languettes dans les trous de fixation et tirez sur l'extrémité de chaque languette jusqu'à ce que son bord passe à travers la fente.

3.4 Remplacement des chenilles usées

Retirez les chenilles usées:



Mettez en place les nouvelles chenilles:





SECTION 4. DÉPANNAGE

Incident	Motif possible	Solution
Échec de charge	Débris sur l'électrode de la tête de charge (non-défaillance)	Nettoyez les débris
	Le capuchon magnétique inférieur n'a pas été retiré (non-défaillance)	Retirez le capuchon magnétique
	Le kit de charge est endommagé	Remplacez le kit de charge
Échec au démarrage	Le capuchon magnétique n'est pas enlevé (non-défaillance)	Retirez le capuchon magnétique
	Taches d'eau sur l'écran du robot ou sur les mains de l'utilisateur (non-défaillance)	Séchez l'écran, séchez vos mains et réessayez
	Mauvaise opération (non-défaillance)	Maintenir le bouton d'alimentation appuyé pendant 3 sec
	La batterie n'est pas alimentée (non-défaillance)	Chargez complètement le robot.
Le robot ne fonctionne pas (ne bouge pas, ne pompe pas)	Batterie faible (non-défaillance)	Chargez complètement le robot
	Hors de l'eau (non-défaillance)	Assurez-vous que le robot est bien sous l'eau et que les voyants lumineux sont allumés
	Impossible d'appuyer sur le bouton marche/arrêt une fois les réglages terminés (non-défaillance)	Appuyez sur le bouton marche/arrêt une fois les réglages terminés, assurez-vous que les voyants sont allumés avant de mettre le robot dans l'eau
	Le panier du filtre est plein (non-défaillance)	Nettoyez le panier du filtre
Le robot bouge mais ne pompe pas	La roue à aubes est bloquée	Vérifiez s'il n'y a trop de débris dans la bague de guidage car cela affecte la rotation de la roue. Veillez à bien remettre le capuchon magnétique en place avant la remise en marche pour éviter toute blessure causée par la rotation de la roue
	Le panier du filtre est plein	Nettoyez le panier du filtre

	(non-défaillance)	
	L'arrivée d'eau est bloquée (non-défaillance)	Retirez le panier du filtre et nettoyez l'arrivée d'eau
	Batterie faible (non-défaillance)	Chargez complètement le robot
Le robot pompe mais ne se déplace pas	Le moteur en mouvement se bloque	Contactez le revendeur pour un remplacement
	La trajectoire est déviée et le robot se bloque (non-défaillance)	Retournez le robot, faites rouler la chenille vers l'avant puis vers l'arrière pour restaurer la trajectoire
	La chenille est endommagée	Remplacez la chenille
	L'épurateur se bloque (non-défaillance)	Nettoyez l'épurateur
	Le robot est bloqué par un obstacle et s'arrête en mode autoprotection (non-défaillance)	Supprimez l'obstacle et redémarrez
	Chargement complet du panier filtrant (non-défaillance)	Nettoyez le panier du filtre
Le robot n'escalade pas la piscine	Mode de nettoyage du sol (non-défaillance)	Passez en mode nettoyage général
	L'hélice est bloquée	Vérifiez s'il n'y a trop de débris dans la bague de guidage, ce qui affecte la rotation de la roue. Veillez à bien remettre le capuchon magnétique en place avant la remise en marche pour éviter toute blessure causée par la rotation de la roue
	Le panier du filtre est plein (non-défaillance)	Nettoyez le panier du filtre
	L'arrivée d'eau est bloquée (non-défaillance)	Retirez le panier du filtre et nettoyez l'entrée d'eau
La performance de nettoyage	Batterie faible (non-défaillance)	Chargez complètement le robot
	L'hélice est bloquée	Éliminez les débris ou les cheveux dans l'anneau de guidage

est insuffisante	Le panier du filtre est plein (non-défaillance)	Nettoyez le panier du filtre
	L'arrivée d'eau est bloquée (non-défaillance)	Retirez le panier du filtre et nettoyez l'entrée d'eau
	L'épurateur est endommagé	Remplacez l'épurateur
	Le panier du filtre est endommagé	Remplacez le panier du filtre
Non-stop inhabituel	Défaillance du logiciel	Remettez en place le capuchon magnétique pendant 5 secondes, retirez-le et redémarrez
Code d'erreur	<ol style="list-style-type: none"> 1. Défaillance du lecteur gauche 2. Défaillance du lecteur droit 3. Défaillance de la pompe à eau 4. Défaut de communication du panneau de contrôle 5. Défaillance du capteur infrarouge 6. Défaillance du capteur d'eau 	Redémarrez le robot par le bouchon magnétique pour vérifier si le code disparaît. Si ce n'est pas le cas, contactez votre revendeur

Remarque :

1. N'utilisez pas le robot lorsque des personnes ou des animaux se trouvent dans la piscine.
2. Le chargeur **DOIT ÊTRE IMPÉRATIVEMENT DÉBRANCHÉ** avant d'effectuer toute opération de maintenance sur le robot.
3. Contactez votre revendeur pour tous problèmes non décrits dans ce guide de dépannage.
4. Le robot s'arrête normalement au bord de la piscine lorsqu'il connaît une panne ou lorsque le niveau de charge de la batterie est inférieur à 15 %.
5. En cas d'erreur, redémarrez le robot en réinsérant le capuchon magnétique situé à la base du robot.
6. En cas de dysfonctionnement du robot, le code d'erreur s'affiche sur le panneau de commande (voir 2.1) et le bouton d'alimentation  sur le panneau de commande clignote en rouge. Le fait d'appuyer sur le bouton d'alimentation  peut faire disparaître l'avertissement d'erreur et permettre le fonctionnement. Si l'erreur se reproduit, consultez le guide de dépannage.

Intérieur



L'alimentation doit s'effectuer uniquement sur une installation intérieure.

Recyclage



Le robot contient une batterie au lithium-ion, qui doit être recyclée par des professionnels qualifiés.

Le recyclage des batteries et des produits contenant des batteries est bénéfique pour

l'environnement et la santé humaine.



NE PAS démonter ou jeter la batterie dans les ordures ménagères ou dans les bacs de recyclage municipaux.

Exclusions de garantie

La garantie ne sera pas valable si l'une des conditions suivantes est remplie :

- Fonctionnement incorrect de l'appareil en raison du non-respect des instructions.
- Dommages causés au robot à la suite d'une mauvaise utilisation, ou pour tout autre motif que la défaillance du fabricant.
- Réparation ou entretien du robot par un revendeur ou un centre de dépannage non agréé.
- Dommages causés au joint de la batterie par un centre de dépannage non agréé.
- Surcharge de la batterie à la suite de l'utilisation d'un adaptateur d'alimentation autre que celui indiqué.
- Dysfonctionnement de la machine à la suite de l'utilisation d'accessoires autres que ceux indiqués.